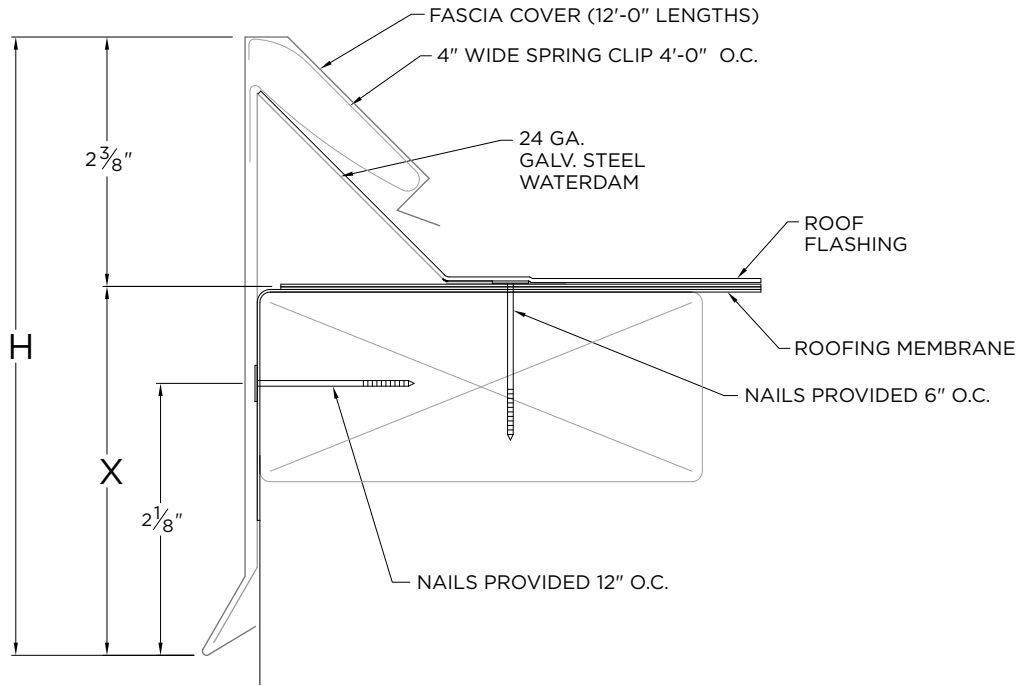




M-WELD NP FASCIA

SNAP-ON, BUILT-UP OR MODIFIED VERSION



NOTES

- Fascia includes splice plate at joints
- Standard fascia will not function with roof flashing thicker than 3/16"
- Oil canning can occur on larger face heights; recommend .050" or .063" for face heights above 8.25"
- Welded accessories require minimum material thickness of .050"
- Unless otherwise noted, fabrication of miters and accessories are furnished standard
- For non-90 miters, see separate print approval Product should be installed per provided installation instructions
- ANSI/SPRI/FM 4435/ES-1 Test Pressure up to 216 psf

APPROVALS



ANSI/SPRI/FM 4435/ES-1
Test Pressures listed in notes

PROJECT INFO

Project Name: _____

Architect: _____

Roofing Contractor: _____

Project Type:

By selecting this box you have verified and confirmed that dimensions, sizes, and quantities are correct. All products will be installed in strict accordance with printed instructions.

Date: _____
GAF
 1 Campus Drive,
 Parsippany, NJ 07054
 USA
 973-628-3000
 WWW.GAF.COM

SHT# 1 of 1
 DATE: 12/21/ 21
 DRN BY: JJC
 CKD BY: MM
 DWG #: 25010-36958
 REV: A

DIMENSIONS

PRODUCT ID. NO.	H DIM	X DIM	NAILER COVERAGE
<input type="checkbox"/> FA-350	5 1/4"	2 7/8"	1 NAILER
<input type="checkbox"/> FA-365	6 3/4"	4 3/8"	2 NAILERS
<input type="checkbox"/> FA-380	8 1/4"	5 7/8"	3 NAILERS
<input type="checkbox"/> FA-395	9 3/4"	7 3/8"	4 NAILERS
<input type="checkbox"/> FA-3110	11 1/4"	8 7/8"	5 NAILERS
<input type="checkbox"/> FA-3125	12 3/4"	10 3/8"	6 NAILERS

MATERIAL

- 24 Ga. Galv. Steel
 - 22 Ga. Galv. Steel
 - .040" Aluminum
 - .050" Aluminum
 - .063" Aluminum
 - OTHER: _____
- Color: _____
 Finish: _____
- Substrate:** Wood
 Masonry
 Metal
- If substrate is not given, wood fasteners will be provided.

QUANTITIES

- _____ Lineal Feet (12'-0" Lengths)
 - _____ Outside Miter (90°)
 - _____ Inside Miter (90°)
 - _____ Right Endcaps
 - _____ Left Endcaps
 - _____ Right Endwall Flashing
 - _____ Left Endwall Flashing
 - Accessory Type:
 - Quicklock (Default)
 - Welded (Surcharge)
 - _____ Overflow Scupper
 - Style A
 - Style B
 - _____ Spillout Scupper
 - Style A
 - Style B
 - _____ Downspout Scupper
 - Style A Style B
 - Size _____x_____
- Style A=Tapered 1.5" Drop | Style B=Flat