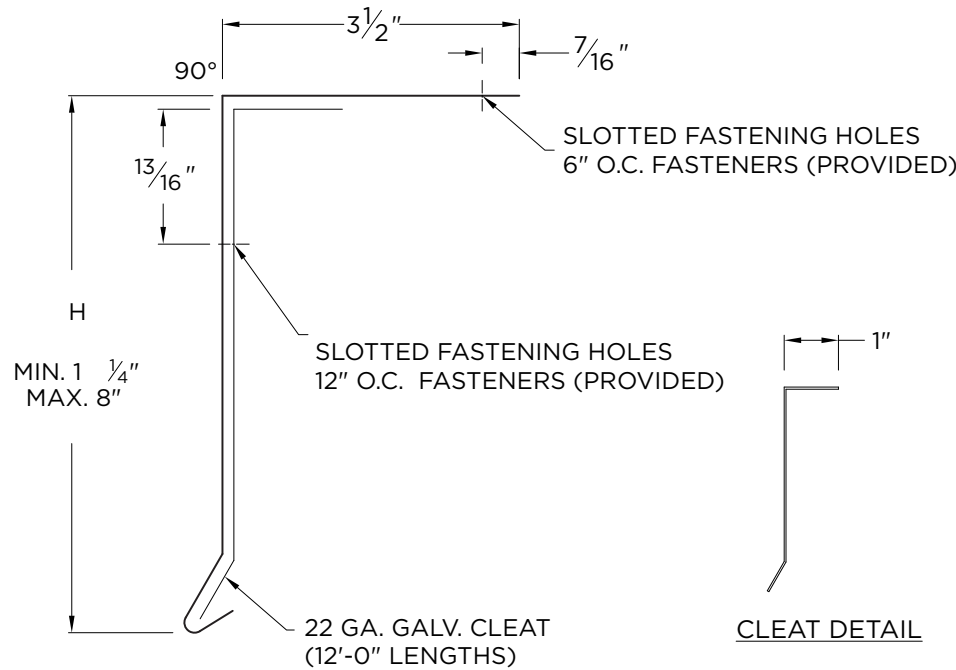




EVERGUARD TPO DRIP EDGE

NOTES

- All cleats provided in 12'-0" lengths
- All Covers provided in 12'-0" lengths
- No lap notches or splice plates provided
- For non-90 miters, see separate print approval
- Product should be installed per provided installation instructions
- ANSI/SPRI/FM 4435/ES-1 Test Pressure up to 282 psf



APPROVALS



ANSI/SPRI/FM 4435/ES-1
Test Pressures listed in notes

PROJECT INFO

Project Name: _____

Architect: _____

Roofing Contractor: _____

Project Type:

By selecting this box you have verified and confirmed that dimensions, sizes, and quantities are correct. All products will be installed in strict accordance with printed instructions.

Date: _____

GAF
1 Campus Drive,
Parsippany, NJ 07054
USA
973-628-3000
WWW.GAF.COM

SHT# 1 of 1

DATE: 03/07/22

DRN BY: JJC

CKD BY: MM

DWG #: 25010-36950

REV: A

DIMENSIONS

Choose Face Height Size (H Dimension)

- 3"
- 4"
- 6"
- OTHER (MIN: 1.25" MAX: 8"): _____

* All face sizes less than 2.5", will not include a 22 gauge galvanized cleat

MATERIAL

24 ga. Galv Steel GAF TPO Coated

Color: White

Substrate: Wood
 Masonry
 Metal

If substrate is not given, wood fasteners will be provided.

QUANTITIES

_____ Lineal Feet (12'-0" Lengths)

_____ Outside Miter (90°)

_____ Inside Miter (90°)