

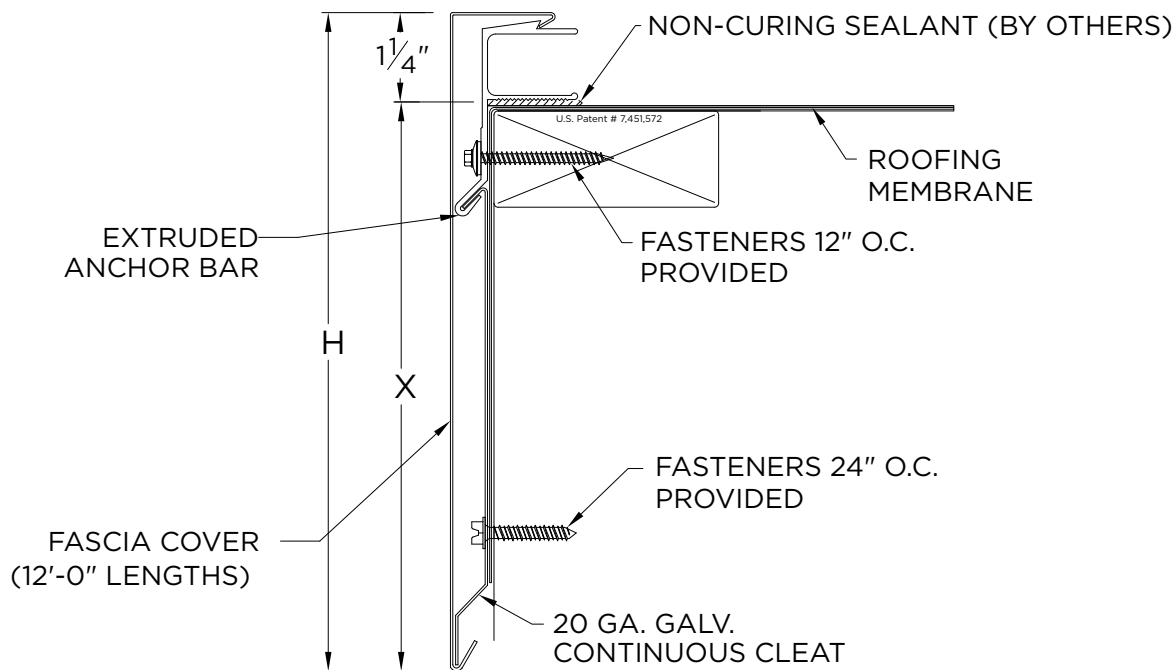


EVERGUARD PRO EXTENDED FASCIA

FULLY ADHERED OR MECHANICALLY ATTACHED SINGLE-PLY VERSION

NOTES

- For non-90 miters, see separate print approval
- Product should be installed per provided installation instructions
- ANSI/SPRI/FM 4435/ES-1 Test Pressure up to 176 psf.



APPROVALS



ANSI/SPRI/FM 4435/ES-1
Test Pressures listed in notes

PROJECT INFO

Project Name: _____

Architect: _____

Roofing Contractor: _____

Project Type:

By selecting this box you have verified and confirmed that dimensions, sizes, and quantities are correct. All products will be installed in strict accordance with printed instructions.

Date: _____
GAF
 1 Campus Drive,
 Parsippany, NJ 07054
 USA
 973-628-3000
 WWW.GAF.COM

SHT# 1 of 1
 DATE: 11/29/21
 DRN BY: JJC
 CKD BY: MM
 DWG #: 25010-10188
 REV: A

DIMENSIONS

PRODUCT ID. NO.	H DIM	X DIM	NAILER COVERAGE
<input type="checkbox"/> AEF-85	8 1/2"	7 1/4"	4 NAILERS
<input type="checkbox"/> AEF-100	10"	8 3/4"	5 NAILERS
<input type="checkbox"/> AEF-115	11 1/2"	10 1/4"	6 NAILERS
<input type="checkbox"/> AEF-130	13"	11 3/4"	7 NAILERS

MATERIAL

- 22 Ga. Galv. Steel
- .050" Aluminum
- .063" Aluminum
- OTHER: _____

Color: _____

Finish: _____

Substrate: Wood

Metal
If substrate is not given, wood fasteners will be provided.

QUANTITIES

_____ Lineal Feet (12'-0" Lengths)

_____ Outside Miter (90°)

_____ Inside Miter (90°)

_____ Right Endcaps

_____ Left Endcaps

_____ Right Endwall Flashing

_____ Left Endwall Flashing

_____ Overflow Scupper

Style A

Style B

_____ Spillout Scupper

Style A

Style B

_____ Downspout Scupper

Style A Style B

Size _____x_____

Style A=Tapered 1.5" Drop | Style B=Flat