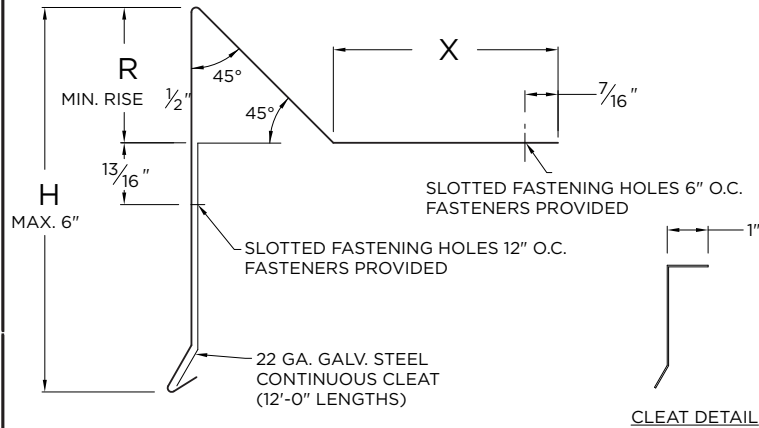




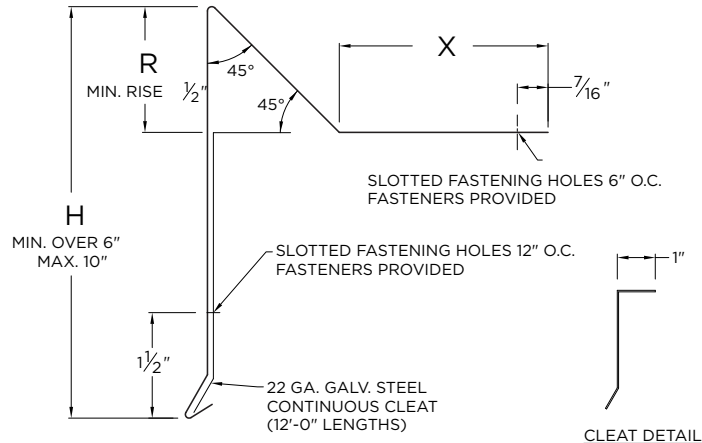
# EVERGUARD GRAVEL STOP

## WITH CONTINUOUS CLEAT

### FACE HEIGHT 6" OR LESS



### FACE HEIGHT OVER 6"



### NOTES

- With Cleat-
- Includes concealed splice plates that must be field caulked to prevent water entry
- Unless otherwise noted, fabrication of miters and accessories are provided with a non-penetrating quicklock joint, then factory sealed watertight
- Welded miters and accessories require a minimum material thickness of .050"
- For non-90 miters, see separate print approval
- Product should be installed per provided installation instructions
- ANSI/SPRI/FM 4435/ES-1 Test Pressure up to 258 psf

### APPROVALS



**ANSI/SPRI/FM 4435/ES-1**  
Test Pressures listed in notes

### PROJECT INFO

Project Name: \_\_\_\_\_

Architect: \_\_\_\_\_

Roofing Contractor: \_\_\_\_\_

#### Project Type:

By selecting this box you have verified and confirmed that dimensions, sizes, and quantities are correct. All products will be installed in strict accordance with printed instructions.

Date: \_\_\_\_\_

**GAF**  
1 Campus Drive,  
Parsippany, NJ 07054  
USA  
973-628-3000  
WWW.GAF.COM

SHT# 1 of 1

DATE: 12/07/21

DRN BY: JJC

CKD BY: MM

DWG #: 25010-10230

REV: A

### DIMENSIONS

\_\_\_\_\_ (H) Face Height (inches-Max 10")

\_\_\_\_\_ (X) Flange Size (inches)

\_\_\_\_\_ (R) Rise (inches-Min 1/2")

### MATERIAL

24 Ga. Galv. Steel

22 Ga. Galv. Steel

.040" Aluminum

.050" Aluminum

.063" Aluminum

OTHER: \_\_\_\_\_

Color: \_\_\_\_\_

Finish: \_\_\_\_\_

**Substrate:**  Wood

If substrate is not given, wood fasteners will be provided.  Masonry

Metal

### QUANTITIES

\_\_\_\_\_ Lineal Feet (12'-0" Lengths)

\_\_\_\_\_ Outside Miter (90°)

\_\_\_\_\_ Inside Miter (90°)

Accessory Type:

Quicklock (Default)

Welded (Surcharge)