



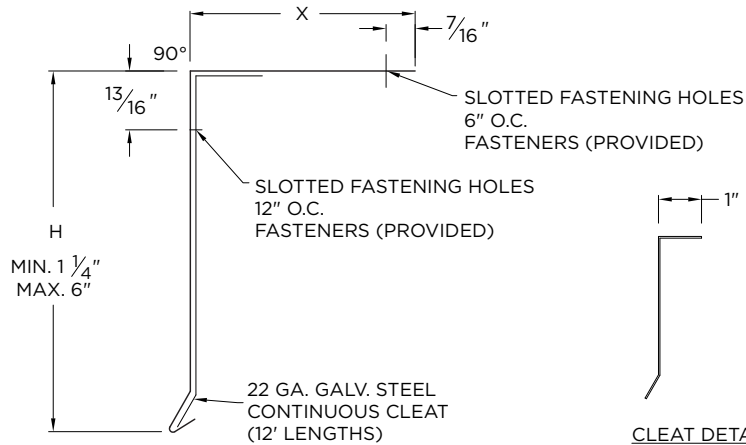
# EVERGUARD DRIP EDGE

KYNAR WITH CONTINUOUS CLEAT

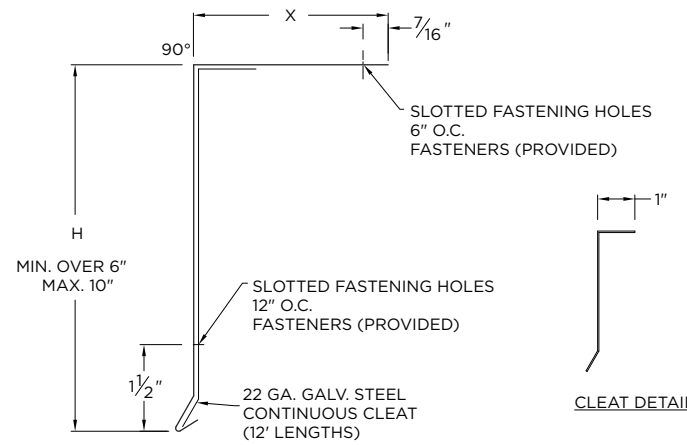
## NOTES

- Includes concealed splice plates that must be field caulked to prevent water entry
- Unless otherwise noted, fabrication of miters and accessories are furnished standard utilizing a non-penetrating quicklock joint, then factory sealed watertight.
- Welded accessories require a minimum material thickness of .050"
- For non 90-degree angle, see separate print approval
- For non-90 miters, see separate print approval
- Product should be installed per provided installation instructions
- ANSI/SPRI/FM 4435/ES-1 Test Pressure up to 282 psf

## FACE HEIGHT 6" OR LESS



## FACE HEIGHT OVER 6"



## APPROVALS



ANSI/SPRI/FM 4435/ES-1  
Test Pressures listed in notes

## PROJECT INFO

Project Name: \_\_\_\_\_

Architect: \_\_\_\_\_

Roofing Contractor: \_\_\_\_\_

### Project Type:

By selecting this box you have verified and confirmed that dimensions, sizes, and quantities are correct. All products will be installed in strict accordance with printed instructions.

Date: \_\_\_\_\_

**GAF**  
1 Campus Drive,  
Parsippany, NJ 07054  
USA  
973-628-3000  
WWW.GAF.COM

SHT# 1 of 1

DATE: 12/13/21

DRN BY: JJC

CKD BY: MM

DWG #: 25010-10232

REV: B

## DIMENSIONS

\_\_\_\_\_ (H) Face Height (inches-Max 10")

\_\_\_\_\_ (X) Flange Size (inches)

## MATERIAL

24 Ga. Galv. Steel

Color: \_\_\_\_\_

22 Ga. Galv. Steel

Finish: \_\_\_\_\_

.040" Aluminum

**Substrate:**  Wood

.050" Aluminum

Masonry

.063" Aluminum

Metal

OTHER: \_\_\_\_\_

If substrate is not given, wood fasteners will be provided.

## QUANTITIES

\_\_\_\_\_ Lineal Feet (12'-0" Lengths)

Accessory Type:

\_\_\_\_\_ Outside Miter (90°)

Quicklock (Default)

\_\_\_\_\_ Inside Miter (90°)

Welded (Surcharge)