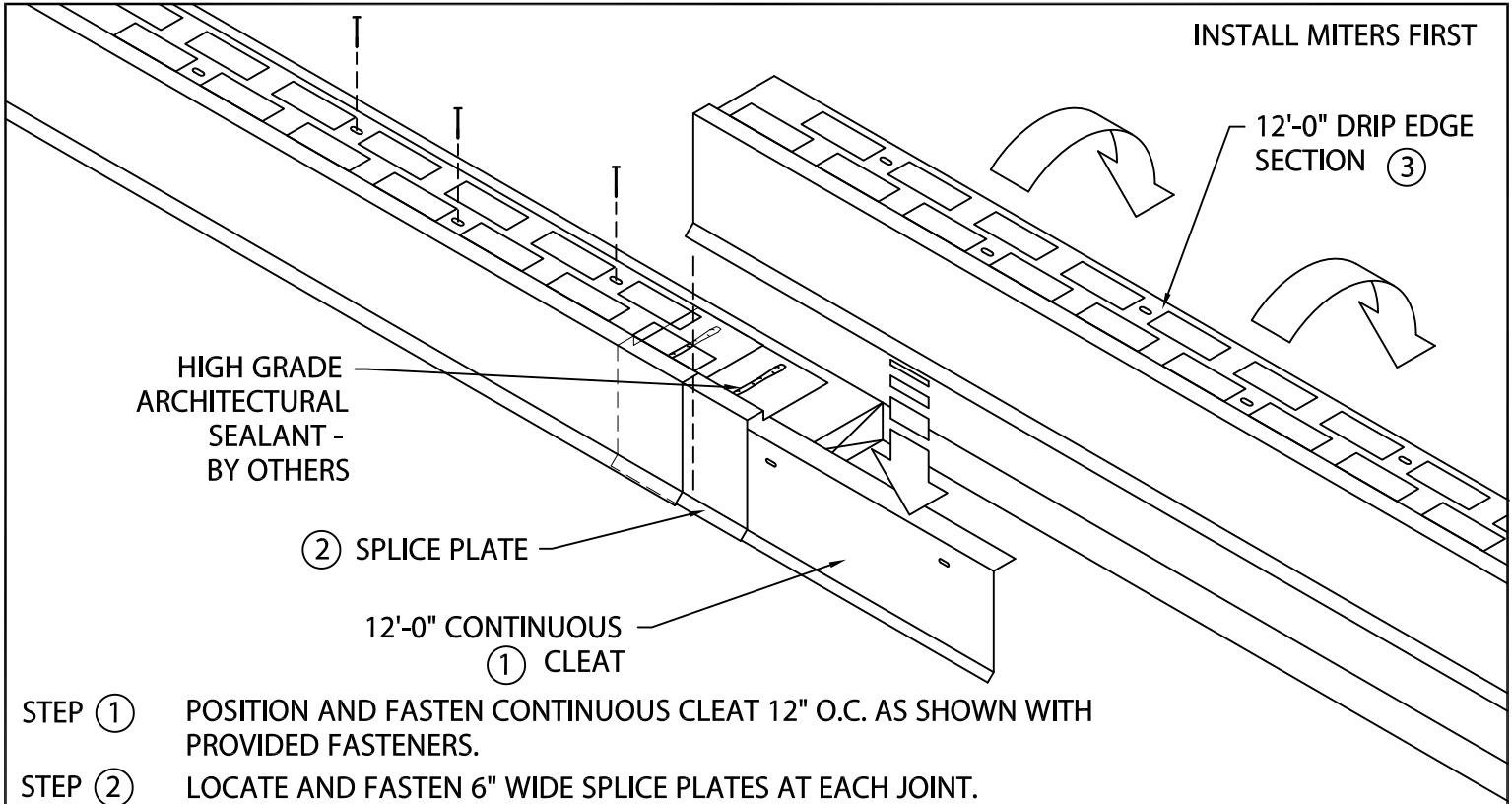




M-WELD GRAVEL STOP MB FASCIA TYPE B

WITH CONTINUOUS CLEAT INSTALLATION INSTRUCTIONS



INSTALL MITERS FIRST

12'-0" DRIP EDGE SECTION (3)

HIGH GRADE ARCHITECTURAL SEALANT - BY OTHERS

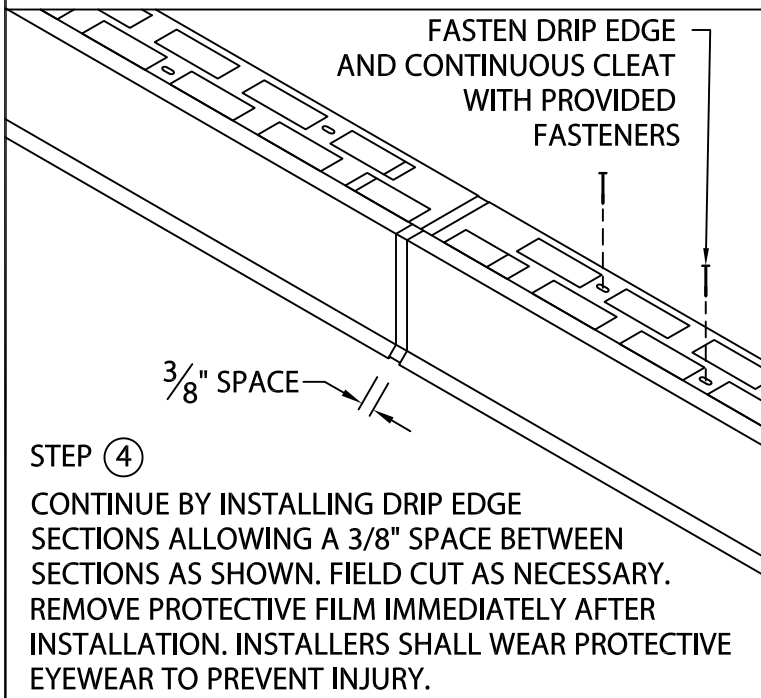
(2) SPLICE PLATE

12'-0" CONTINUOUS (1) CLEAT

STEP (1) POSITION AND FASTEN CONTINUOUS CLEAT 12" O.C. AS SHOWN WITH PROVIDED FASTENERS.

STEP (2) LOCATE AND FASTEN 6" WIDE SPLICE PLATES AT EACH JOINT. SEALANT (BY OTHERS) TO BE FIELD APPLIED TO TOP OF EACH SPLICE PLATE AS SHOWN.

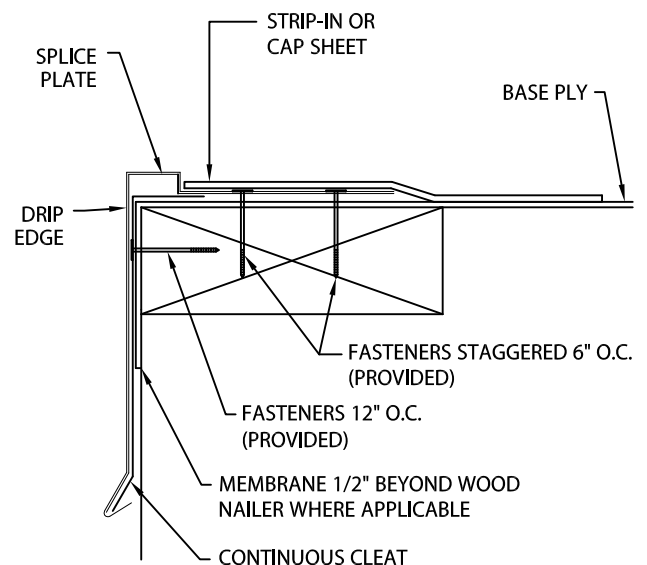
STEP (3) HOOK DRIP EDGE OF EACH DRIP EDGE SECTION ONTO CONTINUOUS CLEAT, ROTATE INTO PLACE, AND FASTEN WITH PROVIDED FASTENERS.



STEP (4)

CONTINUE BY INSTALLING DRIP EDGE SECTIONS ALLOWING A 3/8" SPACE BETWEEN SECTIONS AS SHOWN. FIELD CUT AS NECESSARY. REMOVE PROTECTIVE FILM IMMEDIATELY AFTER INSTALLATION. INSTALLERS SHALL WEAR PROTECTIVE EYEWEAR TO PREVENT INJURY.

TYPICAL INSTALLATION



SPLICE PLATE

STRIP-IN OR CAP SHEET

BASE PLY

DRIP EDGE

FASTENERS STAGGERED 6" O.C. (PROVIDED)

FASTENERS 12" O.C. (PROVIDED)

MEMBRANE 1/2" BEYOND WOOD NAILER WHERE APPLICABLE

CONTINUOUS CLEAT



1 CAMPUS DRIVE, PARSIPPANY, NJ 07054 USA
973-628-3000
WWW.GAF.COM

DATE: 04/20/22

DRN BY: MLM

CKD BY: MM

SHT.# ___ OF ___

DWG# 25110-38171

A