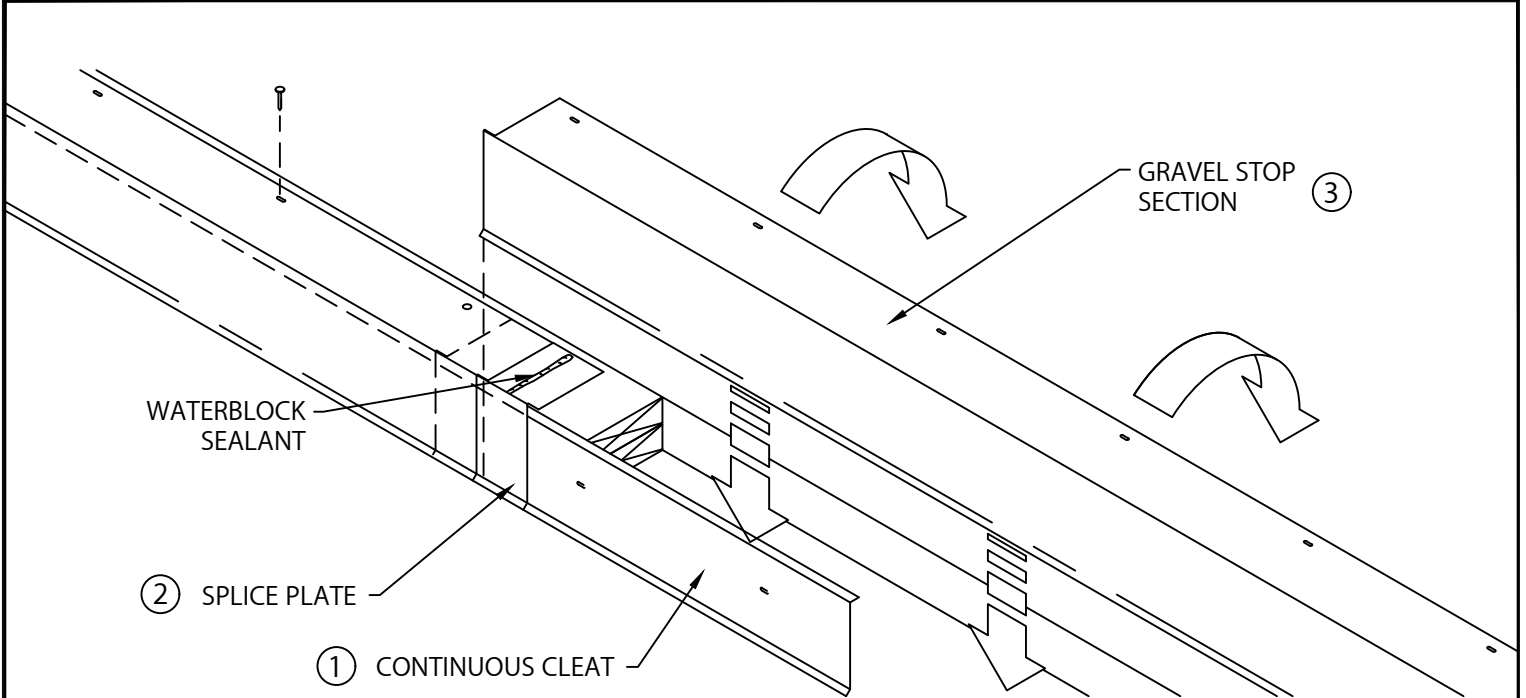
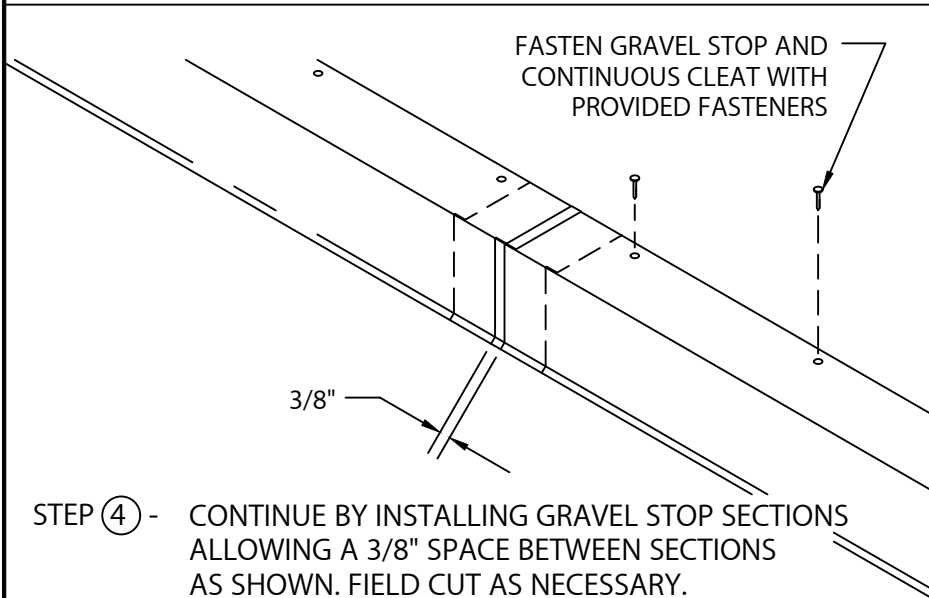


EVERGUARD GRAVEL STOP

WITH CONTINUOUS CLEAT INSTALLATION INSTRUCTIONS

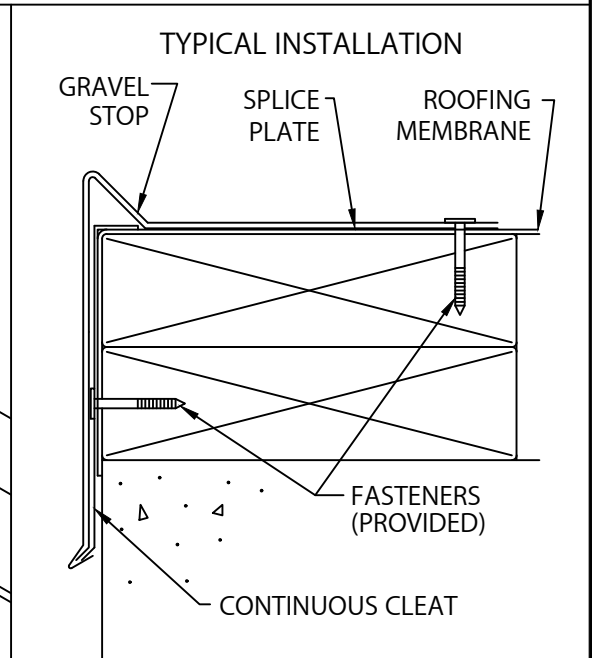


- STEP ① - POSITION AND FASTEN CONTINUOUS CLEAT 12" O.C. AS SHOWN WITH PROVIDED FASTENERS.
- STEP ② - LOCATE AND FASTEN 6" WIDE SPLICE PLATES AT EACH JOINT. WATERBLOCK SEALANT TO BE FIELD APPLIED TO TOP OF EACH SPLICE PLATE AND UP CANTED AREA AS SHOWN.
- STEP ③ - HOOK DRIP EDGE OF EACH GRAVEL STOP SECTION ONTO CONTINUOUS CLEAT, ROTATE INTO PLACE, AND FASTEN WITH PROVIDED FASTENERS.



- STEP ④ - CONTINUE BY INSTALLING GRAVEL STOP SECTIONS ALLOWING A 3/8" SPACE BETWEEN SECTIONS AS SHOWN. FIELD CUT AS NECESSARY.

CAUTION : REMOVE PROTECTIVE FILM IMMEDIATELY AFTER INSTALLATION. INSTALLERS SHALL WEAR PROTECTIVE EYEWEAR TO PREVENT INJURY.



Customer Service
Phone: 800-558-2162 Fax: 800-373-9156

DATE: 04/04/22
DRN BY: MLM
CKD BY: MM

SHT.# ___ OF ___
DWG# 25110-10231

B