

CAUTION

SAFETY RECOMMENDATION ON GOOD VENTING PRACTICE. READ CAREFULLY.

1. Before the chimney cover is installed, your chimney should be inspected to be sure your chimney has been constructed properly. It needs to be the proper size and height for what you are venting to provide an adequate draft. This inspection will assure that the flue is not in need of repair and is clear of any obstructions. Bird, squirrel, or animal nests, tree limbs, leaves, fallen brick or tile lining all could cause hazardous conditions. The vent pipe leading from the furnace to the chimney should also be thoroughly checked for deterioration, blockage and/or soot accumulation. We recommend a Certified Chimney Sweep, Gas Company, or Furnace Company, to perform this safety inspection.

2. When wood burning units are being vented, the chimney should be visually checked as often as every few days. If the cover or screen appears to be sooty or dirty, it follows that the inside of the flue is also dirty. A buildup inside the chimney could cause a **CHIMNEY FIRE**. The cause of this buildup may be a slow draft or the type of wood that is being burned. In this case, contact your local Certified Chimney Sweep to inspect and clean the flue and suggest steps to minimize further buildup in the future.

3. If you are venting a gas or oil furnace/heater, **EXTREME CAUTION** should be taken when temperatures fall below freezing. Visually check the chimney cover daily for possible frost, snow, freezing rain, or ice buildup. If drafting properly, the heat from the escaping flue gases will prevent any frost buildup on the cover. However, improper burner settings or conditions, obstructions or restrictions that may develop in the furnace or the chimney, could cause the escaping flue gases to cool down. The cooling of these gases could cause a buildup of frost and ice on the cover. If this buildup condition occurs, call a Certified Furnace Company, Gas Company, or a Chimney Sweep **AT ONCE**.

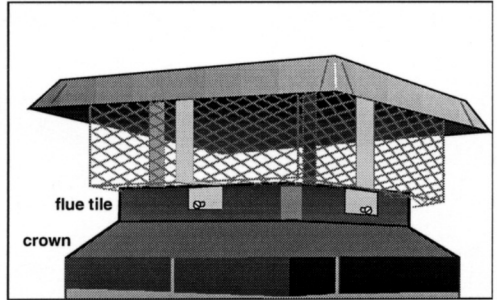
4. **CARBON MONOXIDE BUILDUP** in the house, due to a blockage in the chimney or an improper functioning furnace/heater, **MAY CAUSE DROWSINESS, HEADACHES, AND/OR NAUSEA**, in it's early stages, warning of it's presence. **CONTINUED EXPOSURE COULD BE FATAL**, if proper chimney venting is not established and maintained.

Assembly & Installation Instructions

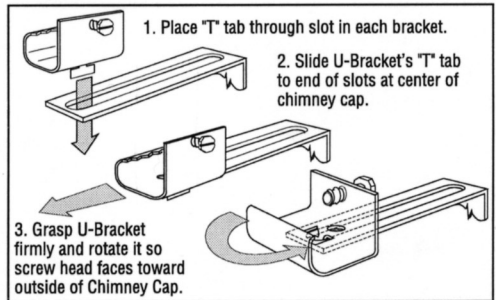
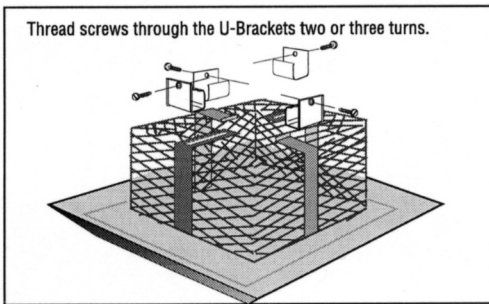
IMPORTANT

Read all instructions and CAUTIONS on both sides of this sheet carefully before beginning. Failure to do so may result in improper installation and/or hazardous situations. Ceramic flue tile must extend a minimum of 1 1/2" above crown for this unit to be installed..

TOOL REQUIRED



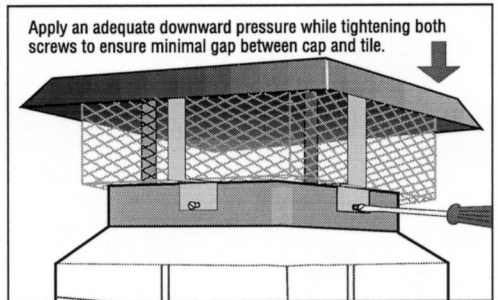
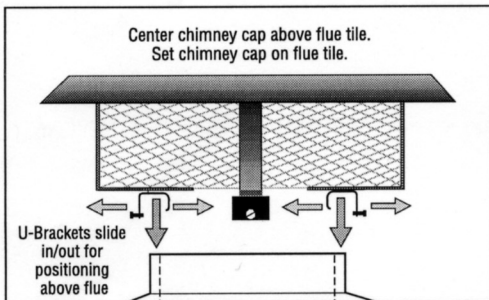
Assembly Instructions



Place Chimney Cap upside down on the ground or a flat work surface. Insert one screw each into the pre-threaded hole located on the side of each U-Bracket.

Insert the "T" shaped tab into the slotted brace of the Chimney Cap. Slide the U-Bracket along the slotted brace (toward the center of the Chimney Cap) until "T" shaped tab contacts end of the slot. Hold U-Bracket firmly against the end of the slot and rotate U-Bracket 1/4 turn. Note, screw head must face to the outside of the Chimney Cap.

Installation Instructions



Position Chimney Cap above the flue tile. Slide the U-Brackets along the braces until they are aligned above the sides of the flue tile and lower into position on tile.

Check for center alignment. Tighten each screw firmly against the flue tile while applying downward pressure on the top of the Chimney Cap.