

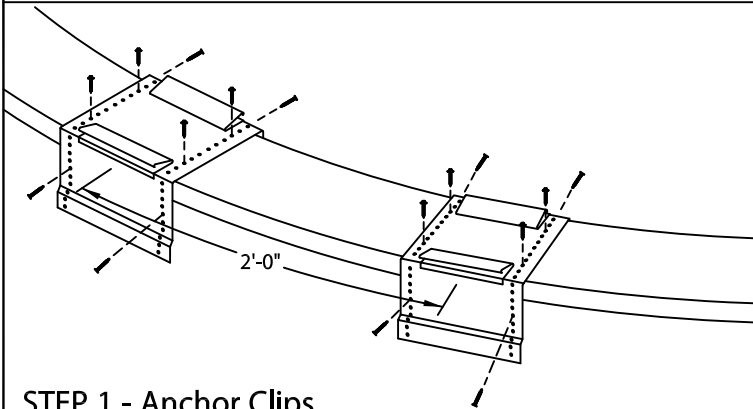


# EVERGUARD GOLD RADIUS COPING

EXISTING SLOPE VERSION - 2'-0" O.C.

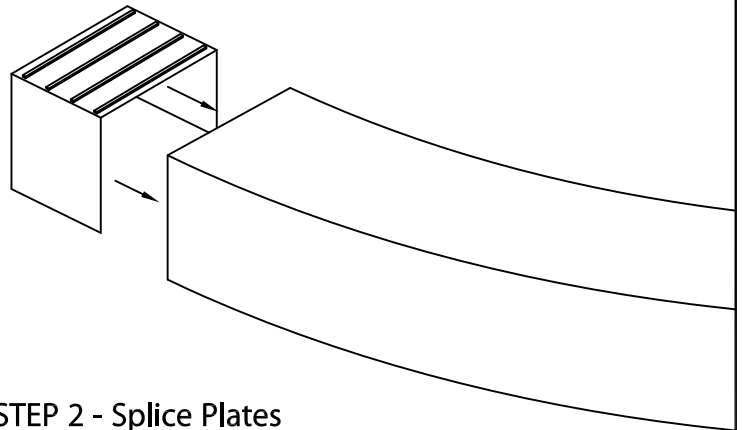
## INSTALLATION INSTRUCTIONS

NOTE: Position the roofing membrane up and over the top of the wall and down the outside face of the wall covering the treated wood nailer(s) completely. Allow 1/2" excess membrane if necessary.



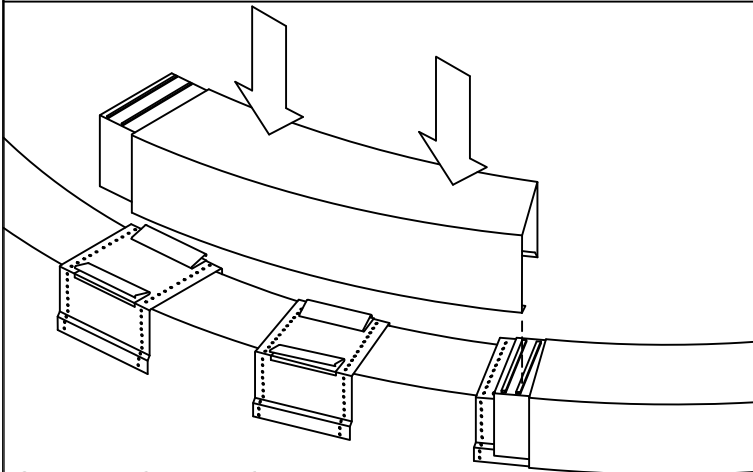
### STEP 1 - Anchor Clips

Locate and fasten anchor clips at 2'-0" O.C. with provided fasteners for substrate (see detail A).



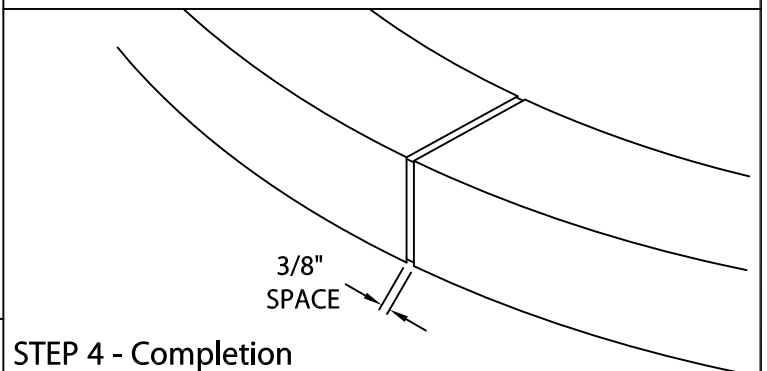
### STEP 2 - Splice Plates

Remove release paper from left two sealant strips. Insert splice plate into the right end of radius section.



### STEP 3 - Coping Cover

Remove release paper from right two factory applied sealant strips on the splice plate in the coping section. Install 4'-0" radius coping sections from left to right. Place coping into position and press downward until snap-lock occurs.

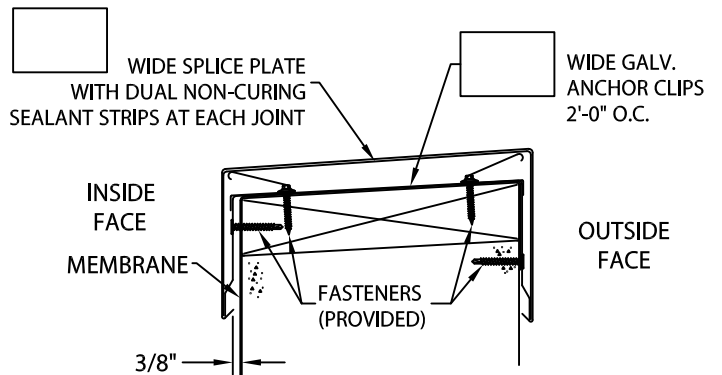


### STEP 4 - Completion

Continue installing coping with a 3/8" space at splice joints to allow for thermal expansion. Field cut where necessary using a fine tooth hacksaw or snips.

NOTE: REMOVE PROTECTIVE FILM IMMEDIATELY.

### TYPICAL COPING INSTALLATION



LOCATE PROVIDED FASTENER IN THIRD FULL HOLE FROM BEND

FASTEN IN THIRD FULL HOLE FROM DRIP DO NOT OVER TIGHTEN MAINTAIN NEEDED 3/8" GAP

FASTEN IN THIRD FULL HOLE FROM DRIP

ANCHOR CLIP FASTENING-DETAIL A



1 CAMPUS DRIVE, PARSIPPANY, NJ 07054 USA  
973-628-3000  
WWW.GAF.COM

DATE: 07/08/22  
DRN BY: MLM  
CKD BY: MM

SHT.# \_\_\_ OF \_\_\_

DWG# 25111-38865

B