



DEPARTMENT OF REGULATORY AND ECONOMIC RESOURCES (RER)
BOARD AND CODE ADMINISTRATION DIVISION

MIAMI-DADE COUNTY
PRODUCT CONTROL SECTION

11805 SW 26 Street, Room 208
Miami, Florida 33175-2474
T (786) 315-2590 F (786) 315-2599
www.miamidade.gov/economy

NOTICE OF ACCEPTANCE (NOA)

GAF
1 Campus Drive
Parsippany, NJ 07054

SCOPE:

This NOA is being issued under the applicable rules and regulations governing the use of construction materials. The documentation submitted has been reviewed and accepted by Miami-Dade County RER - Product Control Section to be used in Miami-Dade County and other areas where allowed by the Authority Having Jurisdiction (AHJ).

This NOA shall not be valid after the expiration date stated below. The Miami-Dade County Product Control Section (in Miami-Dade County) and/ or the AHJ (in areas other than Miami-Dade County) reserve the right to have this product or material tested for quality assurance purposes. If this product or material fails to perform in the accepted manner, the manufacturer will incur the expense of such testing and the AHJ may immediately revoke, modify, or suspend the use of such product or material within their jurisdiction. RER reserves the right to revoke this acceptance, if it is determined by Miami-Dade County Product Control Section that this product or material fails to meet the requirements of the applicable building code.

This product is approved as described herein, and has been designed to comply with the Florida Building Code including the High Velocity Hurricane Zone of the Florida Building Code.

DESCRIPTION: GAF Master Flow™ Static and Power Roof Ventilators

LABELING: Each unit shall bear a permanent label with the manufacturer's name or logo, city, state and following statement: "Miami-Dade County Product Control Approved", unless otherwise noted herein.

RENEWAL of this NOA shall be considered after a renewal application has been filed and there has been no change in the applicable building code negatively affecting the performance of this product.

TERMINATION of this NOA will occur after the expiration date or if there has been a revision or change in the materials, use, and/ or manufacture of the product or process. Misuse of this NOA as an endorsement of any product, for sales, advertising or any other purposes shall automatically terminate this NOA. Failure to comply with any section of this NOA shall be cause for termination and removal of NOA.

ADVERTISEMENT: The NOA number preceded by the words Miami-Dade County, Florida, and followed by the expiration date may be displayed in advertising literature. If any portion of the NOA is displayed, then it shall be done in its entirety.

INSPECTION: A copy of this entire NOA shall be provided to the user by the manufacturer or its distributors and shall be available for inspection at the job site at the request of the Building Official.

This NOA revises NOA# 20-0130.03 and consists of pages 1 through 9.
The submitted documentation was reviewed by Alex Tigera.

09/26/24



NOA No.: 22-0808.07
Expiration Date: 09/24/25
Approval Date: 09/26/24
Page 1 of 9

ROOFING COMPONENT APPROVAL

Category: Roofing
Sub-Category: Ventilation
Material: Galvanized Steel
Minimum Slope: 2:12

TRADE NAMES OF PRODUCTS MANUFACTURED OR LABELED BY APPLICANT

| <u>Product</u> | <u>Dimensions</u> | <u>Test Specification</u> | <u>Product Description</u> |
|--|--|---------------------------|--|
| GAF Master Flow™ Power Attic Vent ERV4 Roof Mount | Height = 8.00" Length & Width = 25" 0.020" Thick Galvanized Steel | TAS 100(A) | Powered Roof Vent, with fan and thermostat with a galvanized hood. |
| GAF Master Flow™ Power Attic Vent ERV4HT Roof Mount | Height = 8.00" Length & Width = 25" 0.020" Thick Galvanized Steel | TAS 100(A) | Powered Roof Vent, with fan and humidistat, and thermostat with a galvanized hood. |
| GAF Master Flow™ Power Attic Vent ERV5 Roof Mount | Height = 8.00" Length & Width = 25" 0.020" Thick Galvanized Steel | TAS 100(A) | Powered Roof Vent, with fan and thermostat with a galvanized hood. |
| GAF Master Flow™ Power Attic Vent ERV5HT Roof Mount | Height = 8.00" Length & Width = 25" 0.020" Thick Galvanized Steel | TAS 100(A) | Powered Roof Vent, with fan, humidistat, and thermostat with a galvanized hood. |
| GAF Master Flow™ Power Attic Vent ERV6 Roof Mount | Height = 8.00" Length & Width = 25" 0.020" Thick Galvanized Steel | TAS 100(A) | Powered Roof Vent, with fan and thermostat with a galvanized hood. |
| GAF Master Flow™ Power Attic Vent ERV6HT Roof Mount | Height = 8.00" Length & Width = 25" 0.020" Thick Galvanized Steel | TAS 100(A) | Powered Roof Vent, with fan and humidistat, and thermostat with a galvanized hood. |
| GAF Master Flow™ Power Attic Vent ERV8 Roof Mount | Height = 8.00" Length & Width = 25" 0.020" Thick Galvanized Steel | TAS 100(A) | Powered Roof Vent, with fan and humidistat, and thermostat with a galvanized hood. |
| GAF Master Flow™ Power Attic Vent ERV8HT Roof Mount | Height = 8.00" Length & Width = 25" 0.020" Thick Galvanized Steel | TAS 100(A) | Powered Roof Vent, with fan and humidistat, and thermostat with a galvanized hood. |
| GAF Master Flow™ Green Machine™ High-Power Solar Roof Vent (PRSOLAR2) | Height = 7.50" Length & Width = 27" 0.020" thick Galvanized Steel | TAS 100(A) | Solar powered roof ventilation system with a polypropylene plastic base and hood. |
| GAF Master Flow™ Green Machine™ High-Power Solar Roof Vent – Dual Powered Version (PRHYBRID2) | Height = 7.50" Length & Width = 27" 0.020" thick Galvanized Steel | TAS 100(A) | Solar/Electric powered roof ventilation system with a polypropylene plastic base and hood. |



| | | | |
|--|--|-------------|--|
| GAF Master Flow™ Green Machine™ Solar-Powered Roof Vent (ERVSOLAR) | Height = 17.50" Length & Width = 25" 0.020" thick Galvanized Steel | TAS 100 (A) | Solar-Powered Roof Vent, with fan and a galvanized hood. |
| GAF Master Flow™ Green Machine™ Dual-Powered Roof Vent (ERVHYBRID) | Height = 17.50" Length & Width = 25" 0.020" thick Galvanized Steel | TAS 100 (A) | Solar/ Electric Powered Roof Vent, with fan and a galvanized hood. |
| GAF Master Flow™ Wi-Fi Attic Vent Roof Mount (ERV5SMT) | Height = 8.00" Length & Width = 25" 0.020" thick Galvanized Steel | TAS 100 (A) | Powered Roof Vent, with fan and thermostat and humidistat with a galvanized hood. |
| GAF Master Flow™ WiFi Attic Vent Roof Mount (ERV5QCT) | Height = 8.00" Length & Width = 25" 0.020" thick Galvanized Steel | TAS 100 (A) | Powered Roof Vent, with fan and thermostat and humidistat with a galvanized hood. |
| GAF Master Flow™ High-Capacity Dome Vent (HCD144) | Height = 8.00" Length & Width = 25" 0.020" Thick Galvanized Steel | TAS 100 (A) | Static Roof Vent, with a galvanized hood. |
| GAF Master Flow™ EZ Cool™ Plug-in Power Attic Vent Roof Mount (EZCR1) | Height = 8.00" Length & Width = 25" 0.020" Thick Galvanized Steel | TAS 100 (A) | Powered Roof Vent, with fan and thermostat with a galvanized hood. |
| GAF Master Flow™ EZ Cool™ Plug-in Power Attic Vent Roof Mount (EZCR1HT) | Height = 8.00" Length & Width = 25" 0.020" Thick Galvanized Steel | TAS 100 (A) | Powered Roof Vent, with fan and thermostat, and humidistat with a galvanized hood. |
| GAF Master Flow™ EZ Cool™ Plug-in Power Attic Vent Roof Mount (EZCQCR1) | Height = 8.00" Length & Width = 25" 0.020" Thick Galvanized Steel | TAS 100 (A) | Powered Roof Vent, with fan and thermostat with a galvanized hood. |

MANUFACTURING LOCATION

1. Burgaw, NC

EVIDENCE SUBMITTED

| <u>Test Agency</u> | <u>Name</u> | <u>Test Report</u> | <u>Date</u> |
|---|-------------|--------------------|-------------|
| PRI Construction Materials Technologies | TAS 100 (A) | LLB-027-02-01 | 01/23/15 |
| | TAS 100 (A) | LLB-019-02-01 | 07/12/13 |
| | TAS 100 (A) | LLB-029-02-01 | 07/16/15 |
| | TAS 100 (A) | GAF-739-02-01 | 09/29/16 |
| Architectural Testing | ASTM G 155 | E2672.01-106-18 | 07/08/15 |
| | ASTM D 638 | E2672.01-106-18 | 07/08/15 |
| | ASTM D 635 | D8532.01-106-18 | 07/10/14 |
| | ASTM D 1929 | D8532.01-106-18 | 07/10/14 |
| | ASTM D 2843 | D8532.01-106-18 | 07/10/14 |
| Intertek | UL 1703 | SH11040516-001 | 08/07/14 |



APPROVED APPLICATIONS

- Tradename:** GAF Master Flow™ Power Attic Vent ERV4 Roof Mount,
GAF Master Flow™ Power Attic Vent ERV4HT Roof Mount,
GAF Master Flow™ Power Attic Vent ERV5 Roof Mount,
GAF Master Flow™ Power Attic Vent ERV5HT Roof Mount,
GAF Master Flow™ Power Attic Vent ERV6 Roof Mount,
GAF Master Flow™ Power Attic Vent ERV6HT Roof Mount,
GAF Master Flow™ Power Attic Vent ERV8 Roof Mount,
GAF Master Flow™ Power Attic Vent ERV8HT Roof Mount,
GAF Master Flow™ Green Machine™ High-Power Solar Roof Vent (PRSOLAR2),
GAF Master Flow™ Green Machine™ High-Power Solar Roof Vent – Dual Powered Version (PRHYBRID2),
GAF Master Flow™ Green Machine™ Solar-Powered Roof Vent (ERVSOLAR1),
GAF Master Flow™ Green Machine™ Dual-Powered Roof Vent (ERVHYBRID1),
GAF Master Flow™ Wi-Fi Attic Vent Roof Mount (ERV5SMT),
GAF Master Flow™ Wi-Fi Attic Vent Roof Mount (ERV5QCT),
GAF Master Flow™ High-Capacity Dome Vent (HCD144),
GAF Master Flow™ EZ Cool™ Plug-in Power Attic Vent Roof Mount (EZCR1),
GAF Master Flow™ EZ Cool™ Plug-in Power Attic Vent Roof Mount (EZCR1HT), GAF Master Flow™ EZ Cool™ Plug-in Power Attic Vent Roof Mount (EZCQCR1).
- System Type:** Mechanical attachment of powered or static vent under asphalt shingle roof systems.
- Cutout:** Vent must be located 18-inches from ridgeline. At chosen location and centered between two roof rafters, cut a 15-inch diameter hole through shingles and sheathing boards. Using marked position as center point, scribe a circle that is the same diameter as the vent throat opening. Starting with the drill hole, cut vent hole.
- Installation:** Vents should be evenly spaced on the rear slope of the roof. Remove roofing nails from top row of shingles so the flashing of the roof vent will slide under shingles. Apply approved roof cement around the edge of the hole and approved roof sealant on underside of the base unit flange, with two ½-inch beads of approved sealant; with the first bead ¾-inch from the throat and the second placed ¾-inch from outside perimeter. Carefully slide base of vent under shingles with arrow facing up. Make sure the throat of the vent is centered over vent hole. Fasten the base to roof decking at corners, and approx. 5.75-inch on center 1-inch from the outside edge of the flange and 1-inch from stack every 90° with approved roofing nails, keeping heads of nails under shingles where possible. Use a minimum of 20 nails that shall be of sufficient length to penetrate through roof sheathing a minimum of ½". See detail drawings herein. Seal all seams and nails with roofing cement.
- Net Free Area:** Refer to manufacturers published literature.



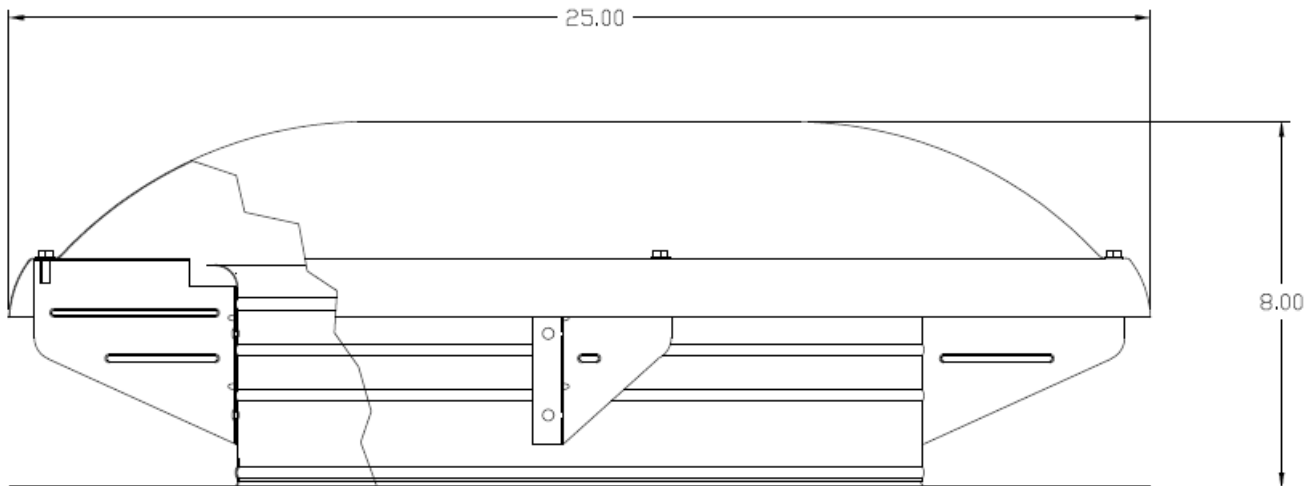
GENERAL LIMITATIONS

1. Refer to applicable Building Code required ventilation.
2. For all vents listed herein, thermostat and wiring shall be installed in compliance with GAF's published instructions, and in accordance with applicable Building Codes.
3. This acceptance is for installations under asphaltic shingle roof systems only.
4. All vents listed herein shall not be installed on roof mean heights greater than 33 feet.
5. All products listed herein shall have a quality assurance audit in accordance with the Florida Building Code and Rule 61G20-3 of the Florida Administrative Code.
6. All approved products listed herein shall be labeled and shall bear the imprint or identifiable marking of the manufacturer's name or logo and following statement: "Miami-Dade County Product Control Approved" or the Miami-Dade County Product Control Seal as shown below.

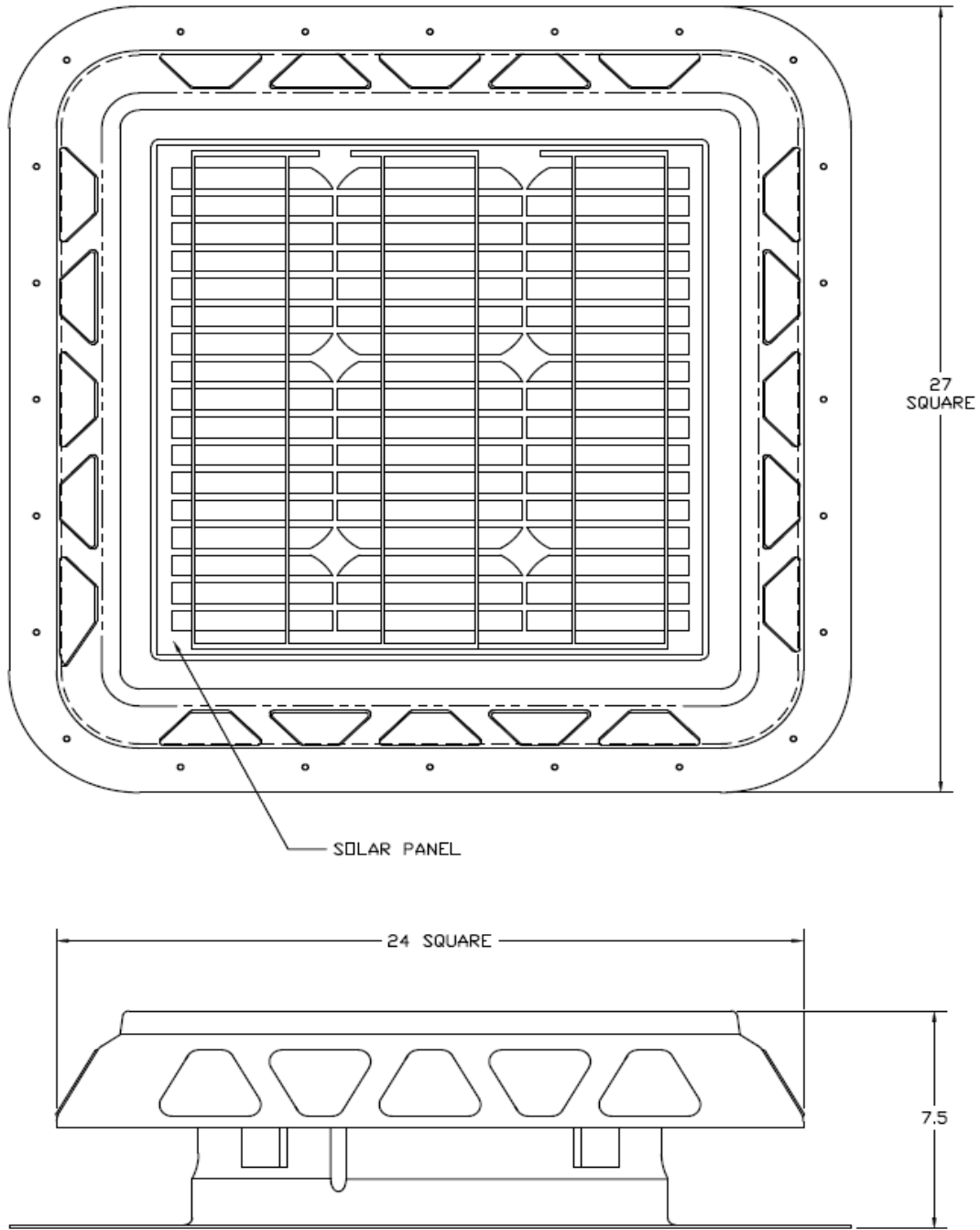


DETAIL DRAWINGS
(All dimensions in inches)

**GAF MASTER FLOW™ POWER ATTIC VENT ERV4 ROOF MOUNT,
GAF MASTER FLOW™ POWER ATTIC VENT ERV4HT ROOF MOUNT,
GAF MASTER FLOW™ POWER ATTIC VENT ERV5 ROOF MOUNT,
GAF MASTER FLOW™ POWER ATTIC VENT ERV5HT ROOF MOUNT,
GAF MASTER FLOW™ POWER ATTIC VENT ERV6 ROOF MOUNT,
GAF MASTER FLOW™ POWER ATTIC VENT ERV6HT ROOF MOUNT,
GAF MASTER FLOW™ WI-FI ATTIC VENT ROOF MOUNT (ERV5SMT),
GAF MASTER FLOW™ ATTIC VENT ROOF MOUNT (ERV5QCT),
GAF MASTER FLOW™ POWER ATTIC VENT ERV8 ROOF MOUNT,
GAF MASTER FLOW™ POWER ATTIC VENT ERV8HT ROOF MOUNT,
GAF MASTER FLOW™ HIGH-CAPACITY DOME VENT (HCD144),
GAF MASTER FLOW™ EZ COOL™ PLUG-IN POWER ATTIC VENT ROOF MOUNT (EZCR1),
GAF MASTER FLOW™ EZ COOL™ PLUG-IN POWER ATTIC VENT ROOF MOUNT (EZCR1HT),
GAF MASTER FLOW™ EZ COOL™ PLUG-IN POWER ATTIC VENT ROOF MOUNT (EZCQCR1)**



**GAF MASTER FLOW™ GREENMACHINE™ HIGH-POWER SOLAR ROOF VENT (PRSOLAR2),
GAF MASTER FLOW™ GREENMACHINE™ HIGH-POWER SOLAR ROOF VENT – DUAL POWERED VERSION
(PRHYBRID2)**



END OF THIS ACCEPTANCE

