



[DBPR HOME](#) | [ABOUT DBPR](#) | [DBPR DIVISIONS](#) | [CONTACT DBPR](#)

[BCIS Home](#) | [Log In](#) | [User Registration](#) | [Hot Topics](#) | [Submit Surcharge](#) | [Stats & Facts](#) | [Publications](#) | [Contact Us](#) | [BCIS Site Map](#) | [Links](#) | [Search](#)



Product Approval
USER: Public User

[Product Approval Menu](#) > [Product or Application Search](#) > [Application List](#) > **Application Detail**

OFFICE OF THE SECRETARY

FL #	FL16624-R9										
Application Type	Revision										
Code Version	2023										
Application Status	Approved										
Comments											
Archived	<input type="checkbox"/>										
Product Manufacturer	GAF/LL Building Products, Inc sub of GAF										
Address/Phone/Email	1 Campus Drive Parsippany, NJ 07054 (800) 766-3411 mstieh@gaf.com										
Authorized Signature	Michael Stieh mstieh@gaf.com										
Technical Representative	Steve Boehling										
Address/Phone/Email	295 McKoy Road Burgaw, NC 28425 sboehling@gaf.com										
Quality Assurance Representative	Enrique Morales										
Address/Phone/Email	295 McKoy Road Burgaw, NC 28425 emorales@gaf.com										
Category	Roofing										
Subcategory	Roofing Accessories that are an Integral Part of the Roofing System										
Compliance Method	Evaluation Report from a Florida Registered Architect or a Licensed Florida Professional Engineer <input type="checkbox"/> Evaluation Report - Hardcopy Received										
Florida Engineer or Architect Name who developed the Evaluation Report	Robert Nieminen										
Florida License	PE-59166										
Quality Assurance Entity	UL LLC										
Quality Assurance Contract Expiration Date	07/12/2025										
Validated By	John W. Knezevich, PE <input checked="" type="checkbox"/> Validation Checklist - Hardcopy Received										
Certificate of Independence	FL16624_R9_COI_2023_07_COI_NIEMINEN.pdf										
Referenced Standard and Year (of Standard)	<table border="0"> <thead> <tr> <th>Standard</th> <th>Year</th> </tr> </thead> <tbody> <tr> <td>ASTM D1929</td> <td>2016</td> </tr> <tr> <td>ASTM D635</td> <td>2014</td> </tr> <tr> <td>ASTM G155</td> <td>2013</td> </tr> <tr> <td>TAS 100(A)</td> <td>2023</td> </tr> </tbody> </table>	Standard	Year	ASTM D1929	2016	ASTM D635	2014	ASTM G155	2013	TAS 100(A)	2023
Standard	Year										
ASTM D1929	2016										
ASTM D635	2014										
ASTM G155	2013										
TAS 100(A)	2023										
Equivalence of Product Standards Certified By											

Sections from the Code

Product Approval Method Method 1 Option D

Date Submitted 10/12/2023
 Date Validated 10/18/2023
 Date Pending FBC Approval 11/01/2023
 Date Approved 12/12/2023

Summary of Products

FL #	Model, Number or Name	Description
16624.1	GAF Master Flow Attic Ventilation Products (NON-HVHZ)	Off-ridge, mechanical exhaust vents for use in FBC non-HVHZ jurisdictions.
Limits of Use Approved for use in HVHZ: No Approved for use outside HVHZ: Yes Impact Resistant: N/A Design Pressure: N/A Other: Refer to PEER Section 5		Installation Instructions FL16624 R9 II 2023 10 11 FINAL PEER-GAF-001.B VENTS FL16624-R9.pdf Verified By: Robert Nieminen, PE PE-59166 Created by Independent Third Party: Yes Evaluation Reports FL16624 R9 AE 2023 10 11 FINAL PEER-GAF-001.B VENTS FL16624-R9.pdf Created by Independent Third Party: Yes

[Back](#) [Next](#)

[Contact Us](#) :: 2601 Blair Stone Road, Tallahassee FL 32399 Phone: 850-487-1824

The State of Florida is an AA/EEO employer. [Copyright 2007-2013 State of Florida](#). :: [Privacy Statement](#) :: [Accessibility Statement](#) :: [Refund Statement](#)

Under Florida law, email addresses are public records. If you do not want your e-mail address released in response to a public-records request, do not send electronic mail to this entity. Instead, contact the office by phone or by traditional mail. If you have any questions, please contact 850.487.1395. *Pursuant to Section 455.275(1), Florida Statutes, effective October 1, 2012, licensees licensed under Chapter 455, F.S. must provide the Department with an email address if they have one. The emails provided may be used for official communication with the licensee. However email addresses are public record. If you do not wish to supply a personal address, please provide the Department with an email address which can be made available to the public. To determine if you are a licensee under Chapter 455, F.S., please click [here](#).

Product Approval Accepts:





NEMO|etc.

Certificate of Authorization #32455
353 Christian Street, Unit #13
Oxford, CT 06478
(203) 262-9245

ENGINEER

EVALUATE

TEST

CONSULT

P.E. EVALUATION REPORT (PEER)

GAF

1 Campus Drive
Parsippany, NJ 07054
(800) 766-3411

PEER-GAF-001.B.R9

FL16624-R9 (NON-HVHZ)

Date of Issuance: 10/22/2013

Revision 9: 10/11/2023

SCOPE:

This P.E. Evaluation Report (henceforth 'PEER') is issued under [Rule 61G20-3](#) and the applicable rules and regulations governing the use of construction materials in the State of Florida. The documentation submitted has been reviewed by Robert Nieminen, P.E. for use of the product under the Florida Building Code. The products described herein have been evaluated for compliance with the **8th Edition (2023) Florida Building Code** [sections referenced herein](#).

DESCRIPTION: GAF Master Flow[®] Attic Ventilation Products (NON-HVHZ)

LABELING: Labeling shall be in accordance with the requirements of the Accredited Quality Assurance Agency noted herein.

CONTINUED COMPLIANCE: This PEER is valid until such time as the named product(s) changes, the referenced Quality Assurance or production facility location(s) changes, or Code provisions that relate to the product(s) change. Acceptance of our PEERs by the named client constitutes agreement to notify NEMO ETC, LLC of any changes to the product(s), the Quality Assurance or the production facility location(s). NEMO ETC, LLC requires a complete review of its PEER relative to updated Code requirements with each Code Cycle.

ADVERTISEMENT: The Florida Product Approval Number (FL#) preceded by the words "Nemo P.E. Evaluated" may be displayed in advertising literature. If any portion of the PEER is displayed, then it shall be done in its entirety.

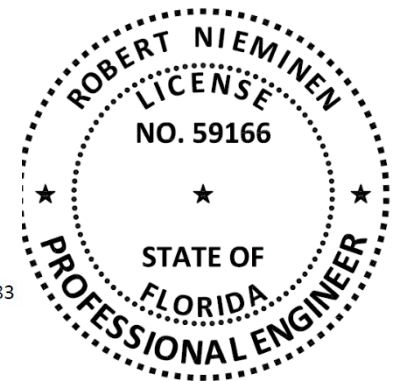
INSPECTION: Upon request, a copy of this entire PEER shall be provided to the user by the manufacturer or its distributors and shall be available for inspection at the job site at the request of the Building Official.

This PEER consists of pages 1 through 8.

Prepared by:

Digitally signed by
Robert Nieminen
Date: 2023.10.11
'11:13:29 -04'00

This item has been digitally signed and sealed by Robert Nieminen, P.E. Printed copies of this document are not considered signed and sealed, and the signature must be verified on any electronic copies. Robert Nieminen, Florida P.E. 59166, FBC ANE1983 NEMO ETC, LLC, Florida CA #32455



CERTIFICATION OF INDEPENDENCE:

1. NEMO ETC, LLC does not have, nor does it intend to acquire or will it acquire, a financial interest in any company manufacturing or distributing products it evaluates.
2. NEMO ETC, LLC is not owned, operated or controlled by any company manufacturing or distributing products it evaluates.
3. Robert Nieminen, P.E. does not have nor will acquire, a financial interest in any company manufacturing or distributing products for which the PEERs are being issued.
4. Robert Nieminen, P.E. does not have, nor will acquire, a financial interest in any other entity involved in the approval process of the product.
5. This is a building code evaluation. Neither NEMO ETC, LLC nor Robert Nieminen, P.E. are, in any way, the Designer of Record for any project on which this PEER, or previous versions thereof, is/was used for permitting or design guidance unless retained specifically for that purpose.

ROOFING COMPONENT EVALUATION:
1. SCOPE:

Product Category: Roofing
Sub-Category: Roofing Accessories that are an Integral Part of the Roofing System
Product Approval Method: Method 1, Option D – Codified Material, Evaluation by Engineer
Compliance Statement: **GAF Master Flow® Attic Ventilation Products**, as produced by **GAF**, have demonstrated compliance with the following sections of the **8th Edition (2023) Florida Building Code** through testing in accordance with the following Standards. Compliance is subject to the [Installation Requirements](#) and [Limitations / Conditions of Use](#) set forth herein.

2. CODE SECTIONS:

SECTION	PROPERTY	STANDARD
1523.6.5.2.13	Wind Driven Rain	TAS 100(A)
2606.4	Rate of burning	ASTM D635
2606.4	Self-ignition temperature	ASTM D1929
2615.2	Weatherometer	ASTM G155

3. REFERENCES:

ENTITY	EXAMINATION	REFERENCE	DATE
ATI (TST1558)	ASTM D635 / D1929	D8532.01-106-18	2014-07-10
GAF	Traceability	Declaration	2022-07-11
PRI (TST 5878)	Wind Driven Rain	LLB-027-02-01	2015-01-23
PRI (TST 5878)	Wind Driven Rain	LLB-027-02-01 (extension)	2016-01-28
PRI (TST5878)	Physical Properties / Weatherometer	GAF-138-02-06	2008-06-06
PRI (TST5878)	Wind Driven Rain	LLB-019-02-01	2013-07-12
PRI (TST5878)	Wind Driven Rain	GAF-739-02-01	2016-11-30
PRI (TST5878)	Wind Driven Rain	376T0351	2022-12-14
UL, LLC (QUA9625)	Quality Control	Service Confirmation	2022-07-12
UL, LLC (QUA9625)	Quality Control	Florida BCIS	Current

4. PRODUCT DESCRIPTION:

PRODUCT	PLANT(S)	DESCRIPTION	PUBLISHED NFVA ¹
Master Flow® GreenMachine™ High-Power Solar and Dual Powered Roof Vents	Burgaw, NC	Off-ridge, solar powered mechanical roof exhaust vents with a base and hood of polymer-injection mold fabrication (Section 10, Figure 4). The Solar Powered Model (PRSOLAR2) is designed to operate only when exposed to sunlight. The Dual Powered Model (PRHYBRID2) is designed to operate when exposed to sunlight and includes electrical (house-powered) back-up	750 CFM airflow (solar operation) 900 CFM airflow (AC operation)
Master Flow® GreenMachine™ Solar and Dual Powered Roof Vents	Burgaw, NC	Off-ridge, solar powered mechanical roof exhaust vent with a 0.020-inch thick galvanized steel base and hood (Section 10, Figure 5). The Solar Powered Model (ERVSOLAR) is designed to operate only when exposed to sunlight. The Dual Powered Model (ERVHYBRID) is designed to operate when exposed to sunlight and includes electrical (house-powered) back-up.	525 CFM airflow (solar operation) 750 CFM airflow (AC operation)
Master Flow® Power Attic Vent ERV4 – Roof Mount	Burgaw, NC	Off-ridge, powered mechanical roof exhaust vent with a 0.020-inch thick galvanized steel base and hood (Section 10, Figure 5) and a 1/12 horsepower motor. Includes thermostat or an optional humidistat/thermostat (ERV4HT).	1,000 CFM airflow

¹ Net Free Ventilation Area reported herein is as published by the manufacturer at the time of evaluation. The report user should verify current published data at the time of design and/or permitting to the satisfaction of the Authority Having Jurisdiction.

PRODUCT	PLANT(S)	DESCRIPTION	PUBLISHED NFVA ¹
Master Flow® Power Attic Vent ERV5 – Roof Mount	Burgaw, NC	Off-ridge, powered mechanical roof exhaust vent with a 0.020-inch thick galvanized steel base and hood (Section 10, Figure 5) and a 1/12 horsepower motor. Includes thermostat, or optional QuickConnect(TM) Wi-Fi Technology (ERV5QCT), or an optional humidistat/thermostat (ERV5HT).	1,250 CFM airflow
Master Flow® Power Attic Vent ERV6 or ERV8 – Roof Mount	Burgaw, NC	Off-ridge, powered mechanical roof exhaust vent with a 0.020-inch thick galvanized steel base and hood (Section 10, Figure 5) and a 1/5 horsepower motor. Includes thermostat or an optional humidistat/thermostat (ERV6HT or ERV8HT).	1,500 CFM airflow
Master Flow® High Capacity Dome Vent – HCD144	Burgaw, NC	Off-ridge, static roof exhaust vent with a 0.020-inch thick galvanized steel base and hood (Section 10, Figure 5)	144 in ²
Master Flow® EZ Cool™ Plug-in Power Attic Vent (EZCR1 and EZCQR1)	Burgaw, NC	Off-ridge, powered mechanical roof exhaust vent with a 0.020-inch thick galvanized steel base and hood (Section 10, Figure 5) and a motor with thermostat.	1,050 CFM airflow
Master Flow EZ Cool™ Plug-in Power Attic Vent Roof Mount (EZCR3)	Burgaw, NC	Off-ridge, powered mechanical roof exhaust vent with a 0.020-inch thick galvanized steel base and hood (Section 10, Figure 5) and a motor, includes thermostat and an optional humidistat/thermostat (EZCR3HT).	1,500 CFM airflow
Master Flow™ Pivot™ Pipe Boot Flashing	Burgaw, NC	Pipe boot flashing with a built-in ball and socket “pivot” feature for simple rooftop pitch adjustment, with up to 18-inch wide flashing base, and available in multiple sizes to accommodate pipe’s inside diameter/height (Section 10, Figure 6).	144 in ²

5. LIMITATIONS:

- 5.1 This is a building code evaluation. Neither NEMO ETC, LLC nor Robert Nieminen, P.E. are, in any way, the Designer of Record for any project on which this PEER, or previous versions thereof, is/was used for permitting or design guidance. PEERs are not to be construed as representing any attributes not specifically listed, nor are PEERs to be construed as an endorsement of the subject, or a recommendation for its use. There is no warranty by NEMO ETC, LLC or Robert Nieminen, P.E., express or implied, as to any finding or other matter in this PEER, or as to any product covered by the PEER.
- 5.2 This PEER is not for use in FBC High Velocity Hurricane Zone jurisdictions, as defined in FBC Chapter 2 (Broward and Miami-Dade Counties).
- 5.3 This PEER pertains to above-deck roof components. Roof decks and structural members shall be in accordance with FBC requirements to the satisfaction of the Authority Having Jurisdiction.
- 5.4 The minimum slope is 2:12.
- 5.5 **Wind Classification:**
 - 5.5.1 When installed in accordance with GAF standard attachment procedures, installation is limited to maximum 33 ft mean roof height in Exposure B or C conditions. Refer to FBC 1609 or FBCR Chapter 3 for design wind speeds and exposure categories.
- 5.6 **GAF Master Flow® Attic Ventilation Products** are for use with any shingle material other than aluminum.
- 5.7 Installation shall result in minimum net free ventilation area requirements set forth in **FBC 1203.2**.

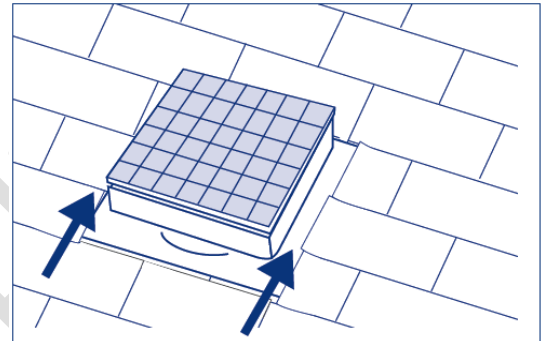
6. INSTALLATION:

6.1 **GAF Master Flow® Attic Ventilation Products** shall be installed in accordance with **GAF** published installation requirements subject to the [Limitation of Use](#) herein and the specifics noted below.

6.1.1 The specifics herein pertain to attachment of the vent to the roof deck, as tested, to meet wind load requirements at mean roof height less than or equal to 33 ft. Refer to published installation requirements for other important aspects of the installation.

6.2 Master Flow® GreenMachine™ High-Power Solar and Dual Powered Roof Vents:

6.2.1 After locating, measuring, marking, cutting-out and testing the position, remove the unit from the test position and apply ASTM C920 urethane sealant such as Henkel PL® or Sonneborne® NP-1™ at the perimeter of the underside of the unit’s horizontal flange. Apply sealant in two ¼-inch diameter continuous beads around the entire perimeter; the first approximately 1-inch from the vent stack wall; the second approximately 1-inch from the flange edge. Align the unit over the cut-out and slide into place with the top half of the flange beneath shingles and the bottom half of the flange atop shingles. Ensure that the arrow marked on the flange points up towards the roof peak. Ensure complete contact between the sealant and the roof deck at the top half and between the sealant and the shingles at the bottom half.



6.2.2 Fasten the horizontal flange to the min. 15/32-inch thick, 4-ply APA 32/16 span rated plywood roof deck using 12 ga, min. 1.25-inch long galvanized ring shank roofing nails at the guide-marks on the flange, located at all four corners and 4-inch o.c. at the perimeter. Finish by sealing exposed nail heads and sealing-down any raised shingles at the top half of the flange using the urethane sealant noted above.

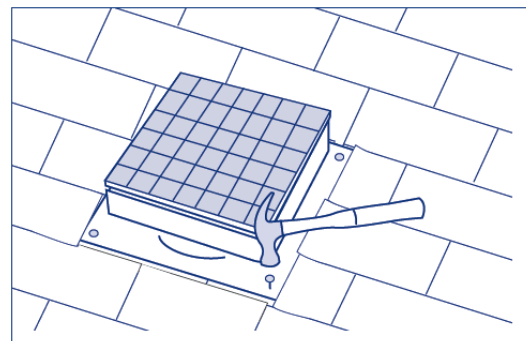
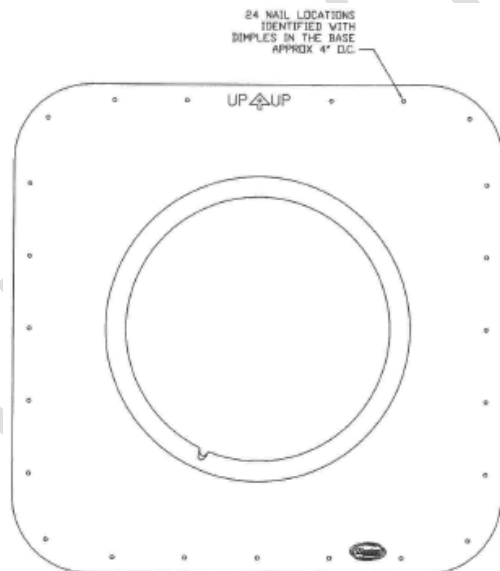


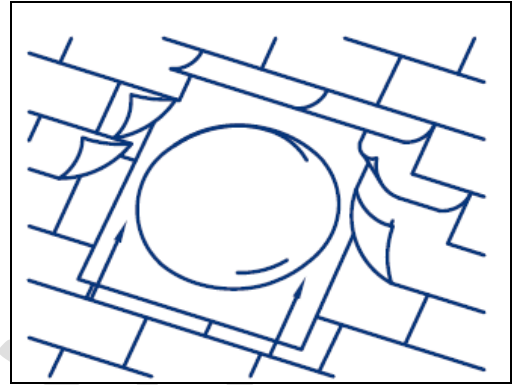
Figure 1: Nailing Pattern

6.3 Master Flow® GreenMachine™ Solar Powered Roof Vent (ERVSOLAR), Master Flow® GreenMachine™ Dual Powered Roof Vent (ERVHYBRID), Master Flow® Power Attic Vent – Roof Mount ERV4, ERV5, ERV6 or ERV8, Master Flow® High Capacity Dome Vent – HCD144 or Master Flow® EZ Cool™ Plug-in Power Attic Vent (EZCR1, EZCQR1, EZCR3 or EZCQR3):

6.3.1 After locating, marking, cutting and preparing the opening in accordance with **GAF** published requirements, apply ASTM C920 sealant to the underside of the vent's base unit as follows:

- ✓ One ½-inch wide bead around the inner perimeter, located ¼-inch from the circular throat.
- ✓ One ½-inch wide bead around the outer perimeter, located ¼-inch from the outside edges.

Slide the vent up under the top shingles, with the arrow on the flashing pointing up-slope. Leave the lower portion of the vent flashing on top of the shingles.



6.3.2 Fasten the base flange to the min. 15/32-inch thick APA span rated plywood roof deck using twenty (20) minimum 12 ga, min. 1.5-inch long corrosion resistant roofing nails as follows:

- ✓ 1-inch from the base edge, at all four corners and 5.75-inch o.c. at the perimeter.
- ✓ 1-inch from the base unit throat at 90° around the circular opening.

Finish by sealing exposed nail heads and sealing-down any raised shingles at the top half of the flange using the roofing cement or urethane sealant noted above.

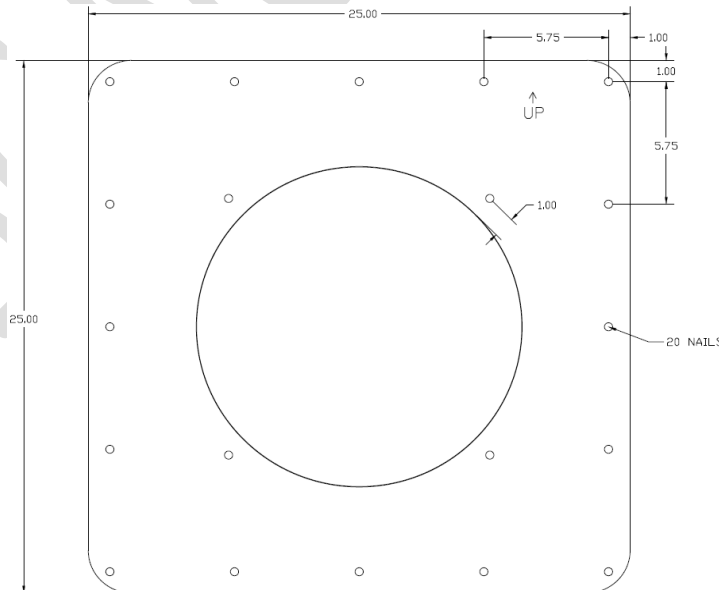
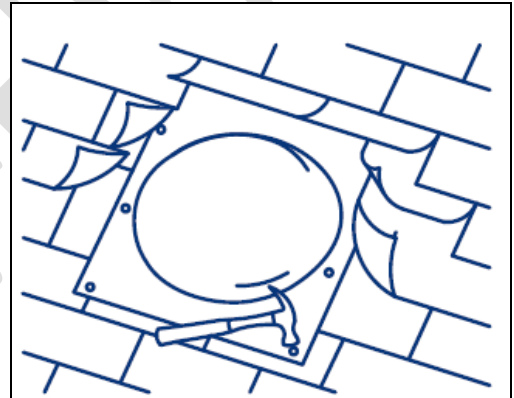


Figure 2: Nailing Pattern

6.4 Master Flow™ Pivot™ Pipe Boot Flashing:

6.4.1 After locating, marking, cutting and preparing the opening around the plumbing vent pipe in accordance with **GAF** published requirements, apply ASTM C920 sealant to the underside of the base flashing as follows:

- ✓ One ½-inch wide bead applied in a “U” shape pattern underneath the bottom and sides of the base flashing with a ¼-inch gap in sealant under bottom section.

Slide the boot up under the top shingles, with the arrow on the flashing pointing up towards the roof peak. Use the base flashing’s pivot feature to adjust for the appropriate rooftop pitch and to center the plumbing pipe in the base flashing. Leave the lower portion of the base flashing on top of the shingles.

Secure pivot cap by gently turning the pipe insert clockwise. Align pipe insert with inside diameter opening of plumbing pipe and press cap down firmly into place on the base flashing tube. Do not over twist the cap.

6.4.2 Fasten the base flashing to the min. 15/32-inch thick APA span rated plywood roof deck using 12 ga, min. 1.25-inch long galvanized ring shank roofing nails at the pre-punched nail guides on the flashing, located 1-inch from outside edge and 5-inch o.c. around the sides and back flashing. Finish by sealing exposed nail heads and sealing-down any raised shingles at the top half of the flange using the roofing sealant noted above.

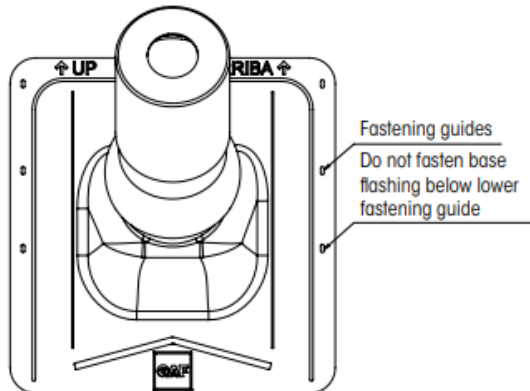
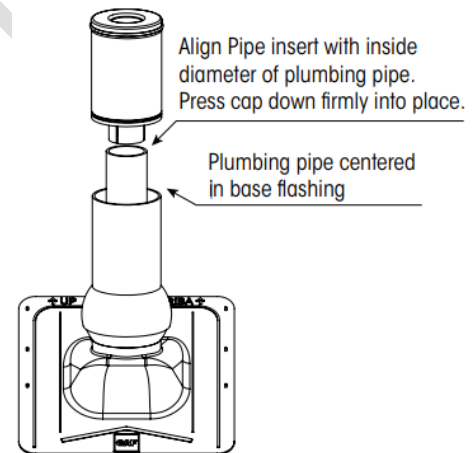
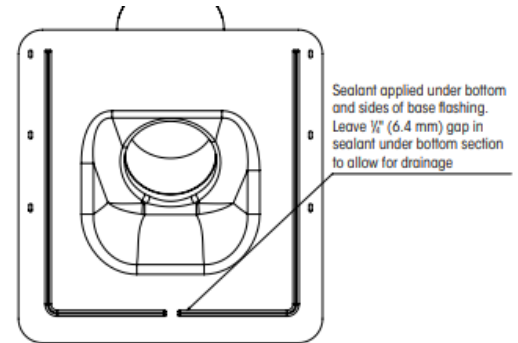


Figure 3: Nailing Pattern

7. BUILDING PERMIT REQUIREMENTS:

As required by the Building Official or Authority Having Jurisdiction to properly evaluate the installation of this product.

8. MANUFACTURING PLANTS:

Contact the named QA entity for manufacturing facilities covered by F.A.C. [Rule 61G20-3](#) QA requirements. Refer to [Section 4](#) herein for products and production locations having met codified material standards.

9. QUALITY ASSURANCE ENTITY:

[UL, LLC. \(QUA9625\)](#): (360) 817-5512; bsai.inspections@ul.com

10. DRAWINGS:

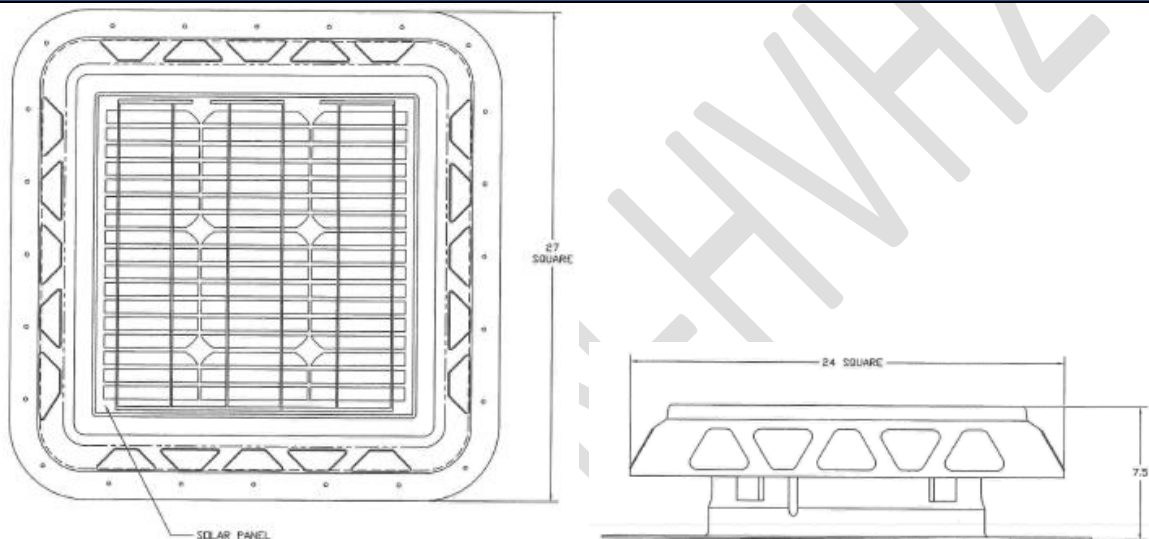


Figure 4: Master Flow® GreenMachine™ High-Power Solar and Dual Powered Roof Vents

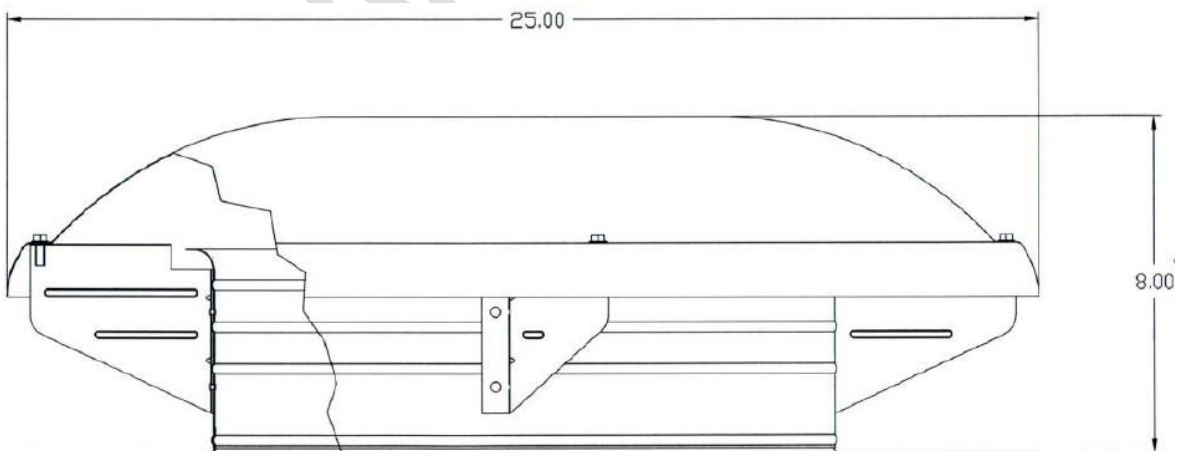


Figure 5: Master Flow® GreenMachine™ Solar Powered Roof Vent (ERVSOLAR), Master Flow® GreenMachine™ Dual Powered Roof Vent (ERVHYBRID), Master Flow® Power Attic Vent – Roof Mount ERV4, ERV5, ERV6 or ERV8, Master Flow® High Capacity Dome Vent – HCD144, Master Flow® EZ Cool™ Plug-in Power Attic Vent (EZCR1, EZCQR1, EZCR3 or EZCQR3)

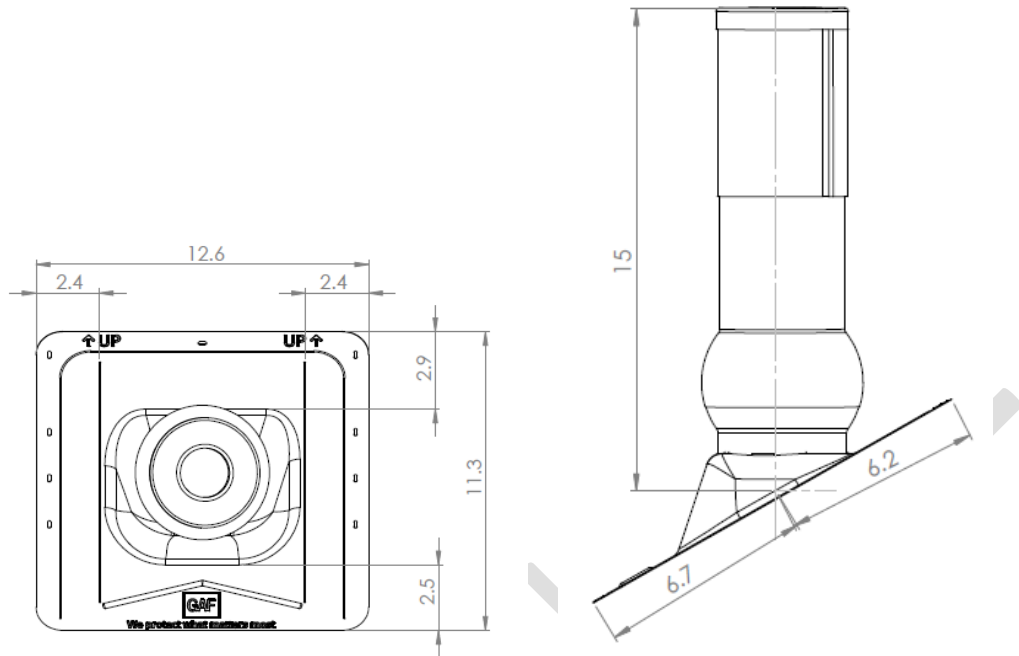


Figure 6: Master Flow™ Pivot™ Pipe Boot Flashing

- END OF PEER -

FBC NON-HVHZ