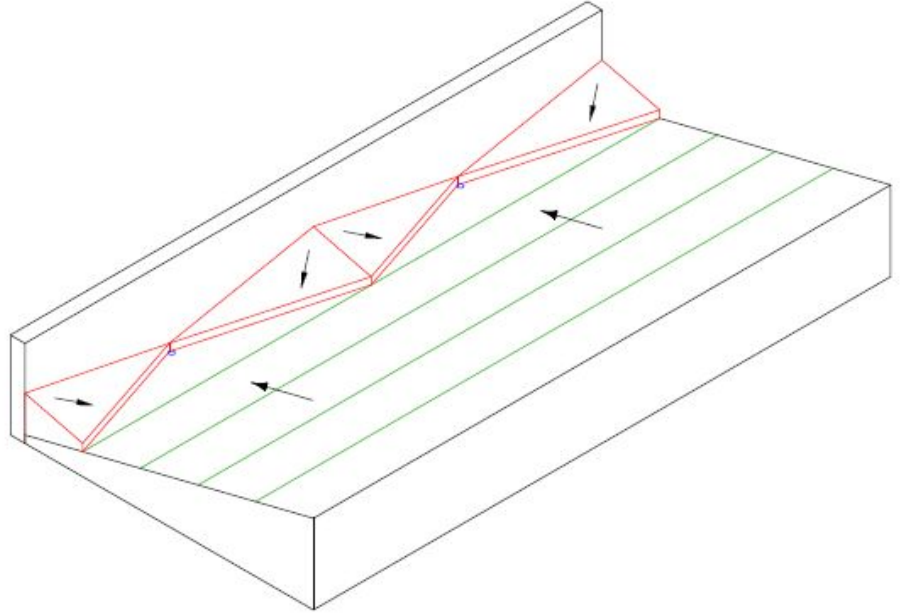
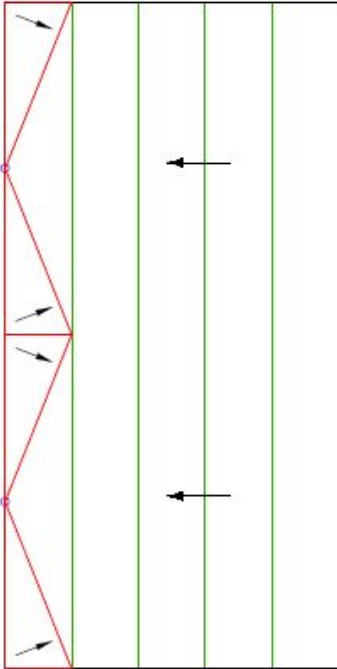
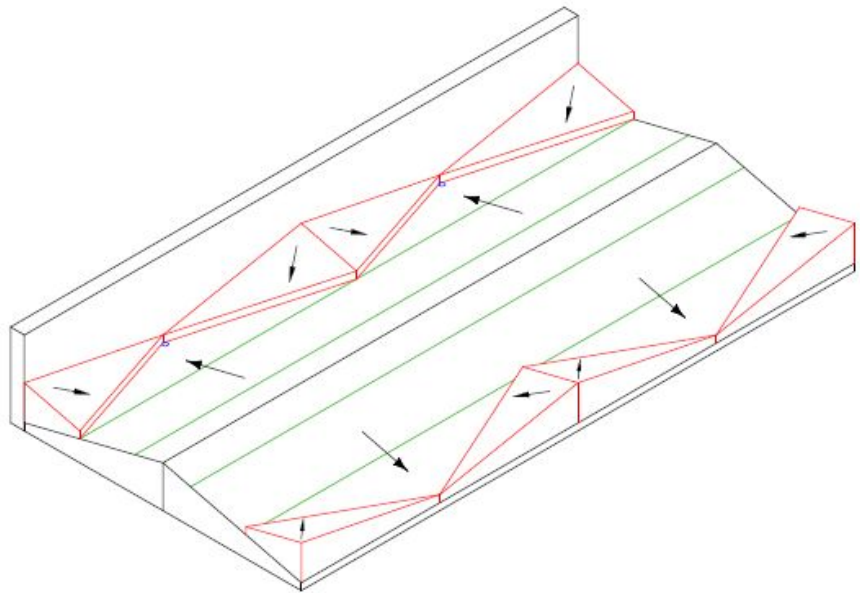
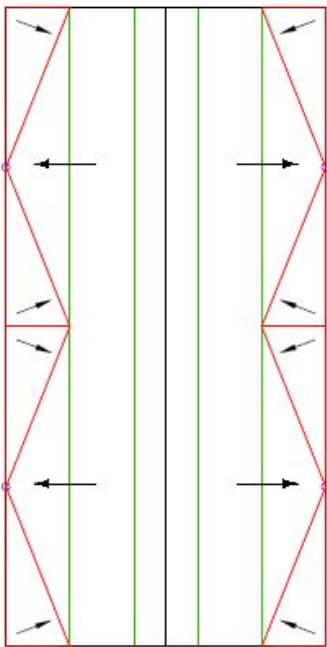


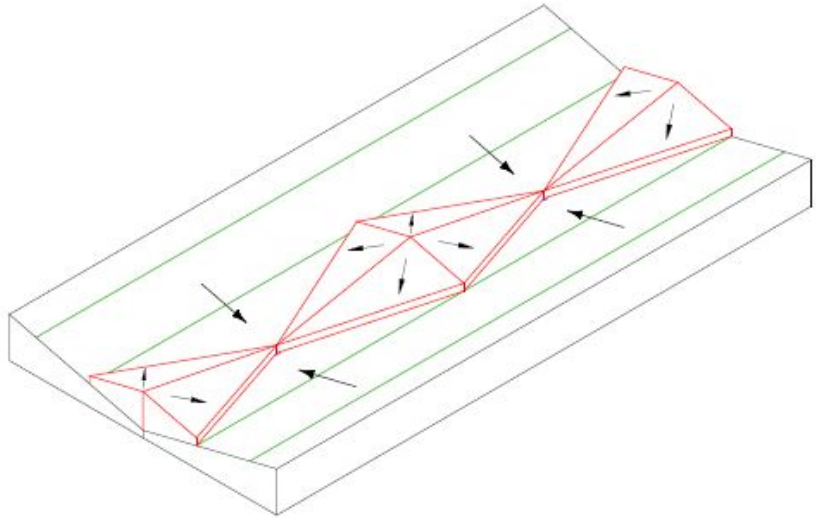
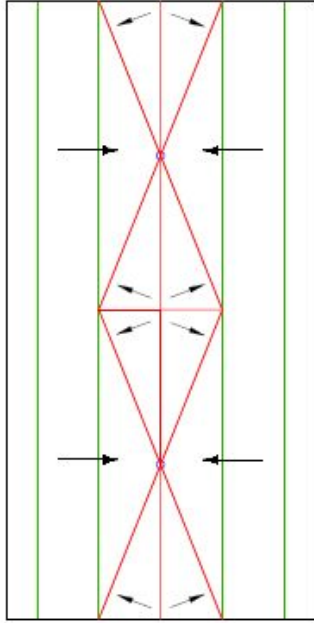
1-Way Slope with Crickets



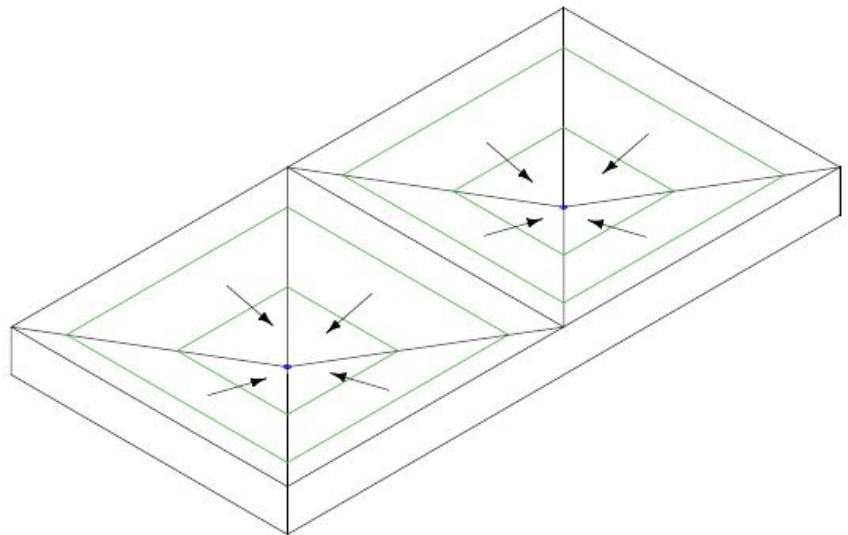
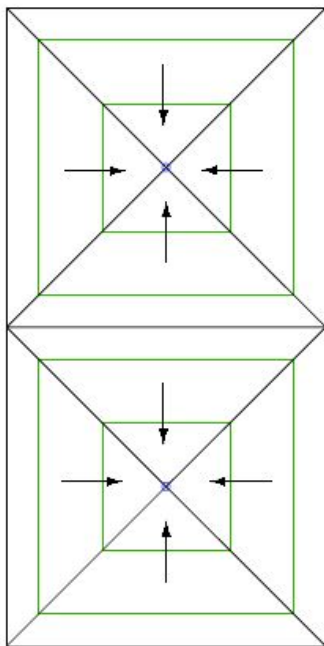
2-Way Slope To Drains/Scuppers



2-Way With Crickets; Installation Efficiency, Indirect Drainage

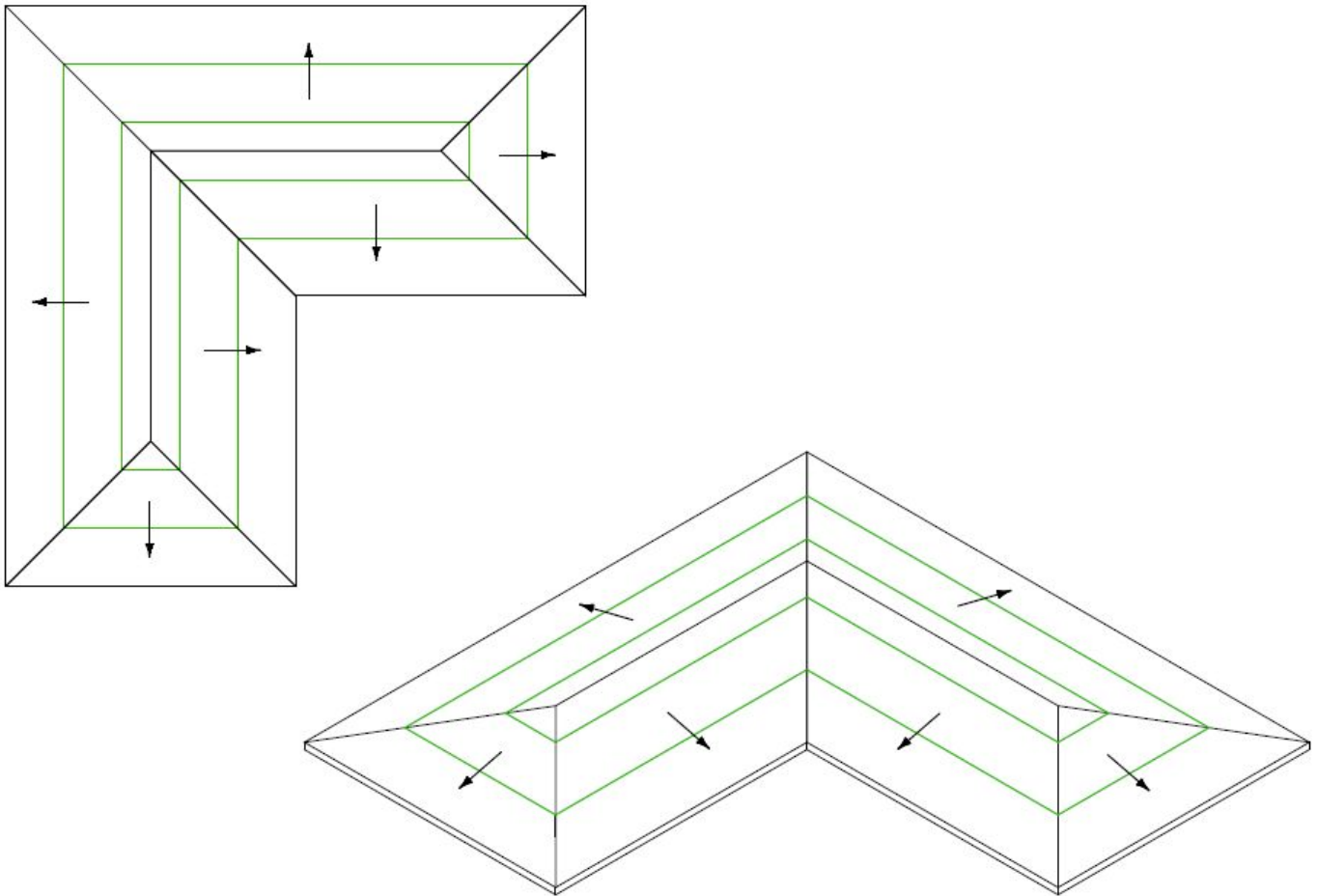


4-Way Slope Design; Optimized Performance, Direct Drainage

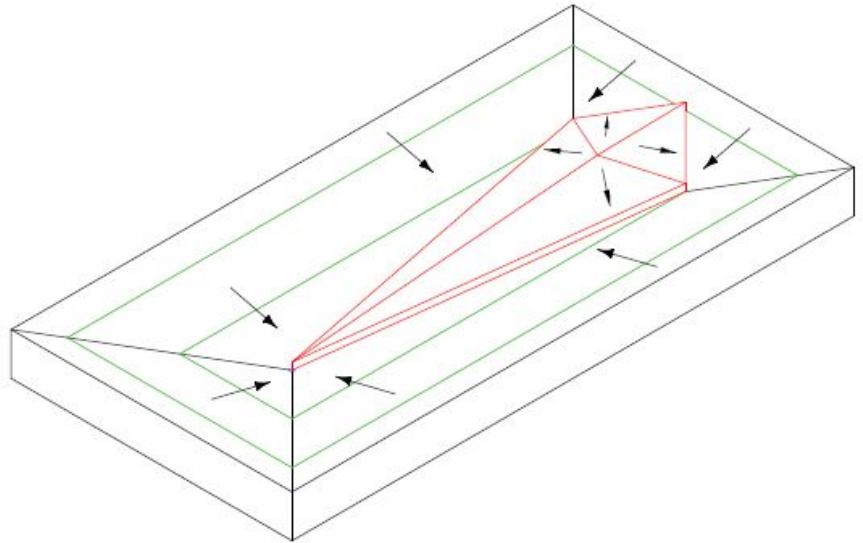
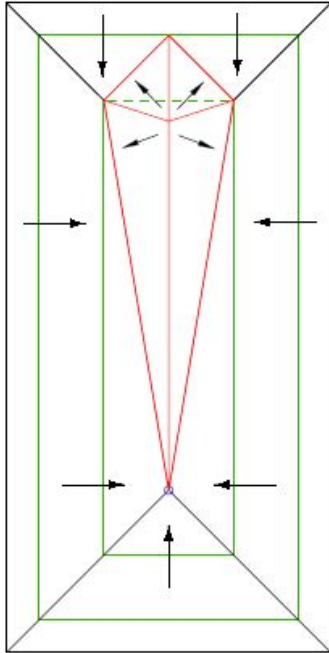




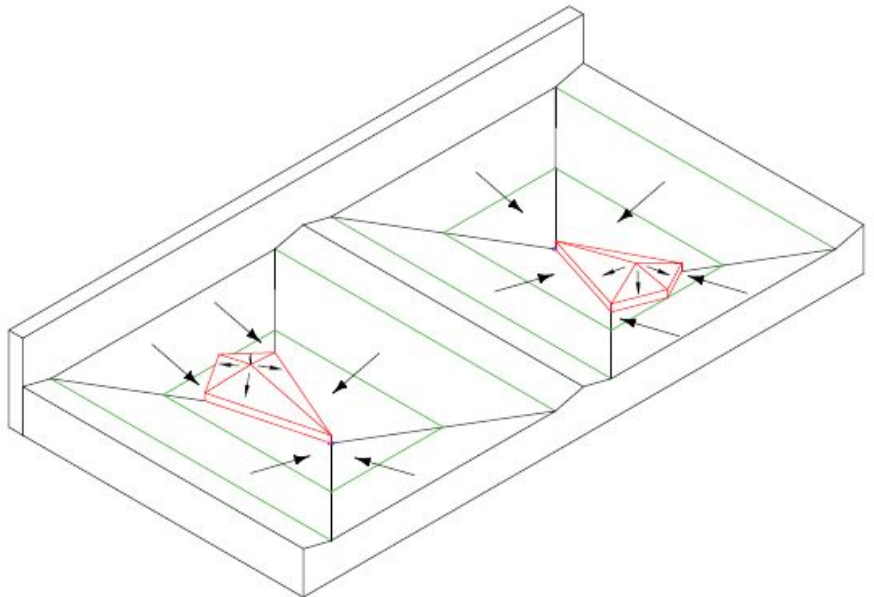
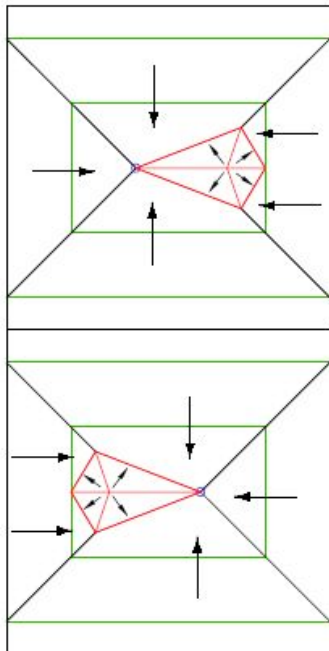
Slope To Perimeter Edge



Modified 4-Way With Kite Cricket; Constant Perimeter



Modified 4-Way With Kite Crickets; Expanded Lows For Installation Efficiency



For more information, contact GAF Tapered Department Services at **1-866-207-7123** or **TDG@GAF.com**

We protect what matters most™

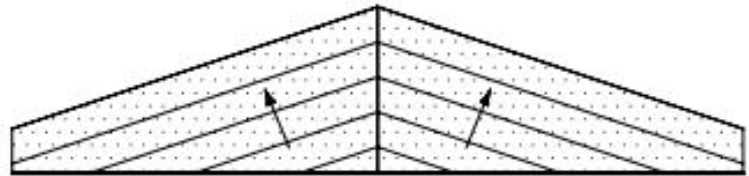


Standard Tapered Layout Designs

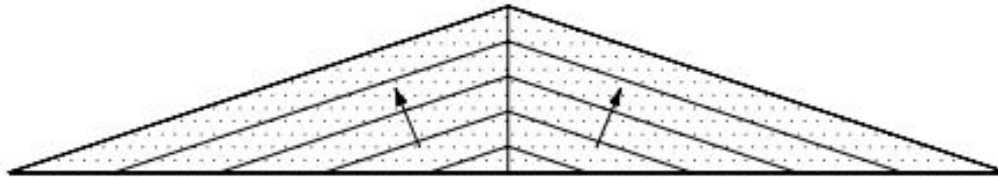
Types of Crickets



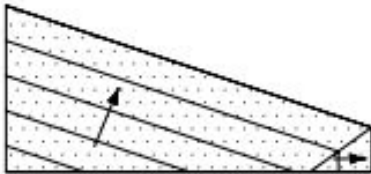
QUARTER/CORNER CRICKET



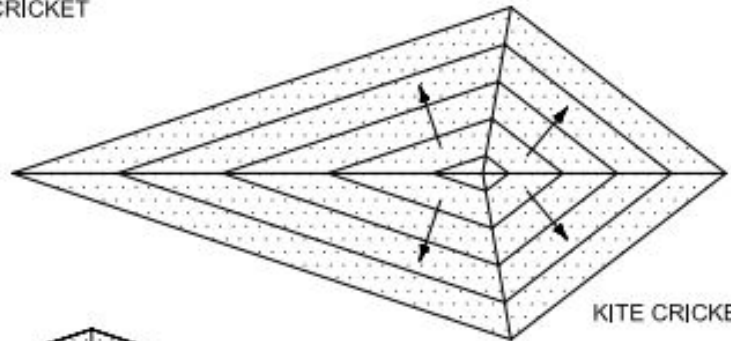
OFF-WALL CRICKET



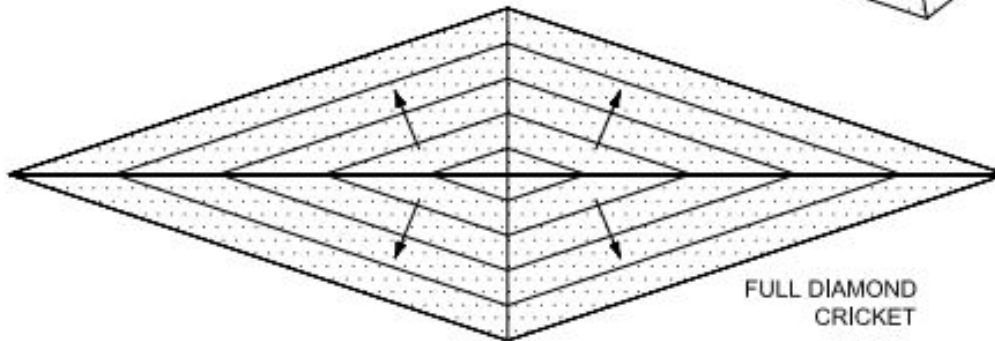
HALF-DIAMOND CRICKET



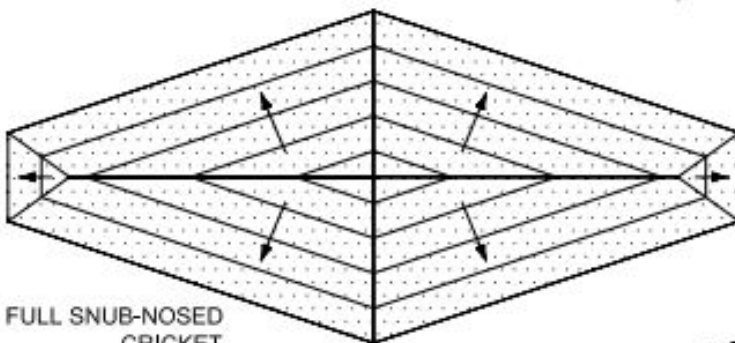
QUARTER SNUB-NOSED CRICKET



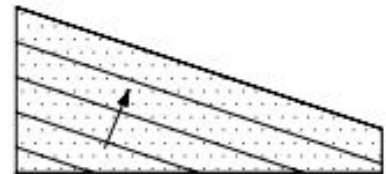
KITE CRICKET



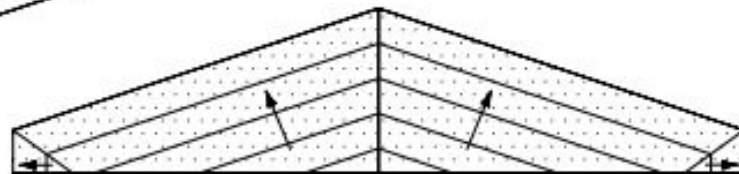
FULL DIAMOND CRICKET



FULL SNUB-NOSED CRICKET



OFF-WALL CORNER CRICKET



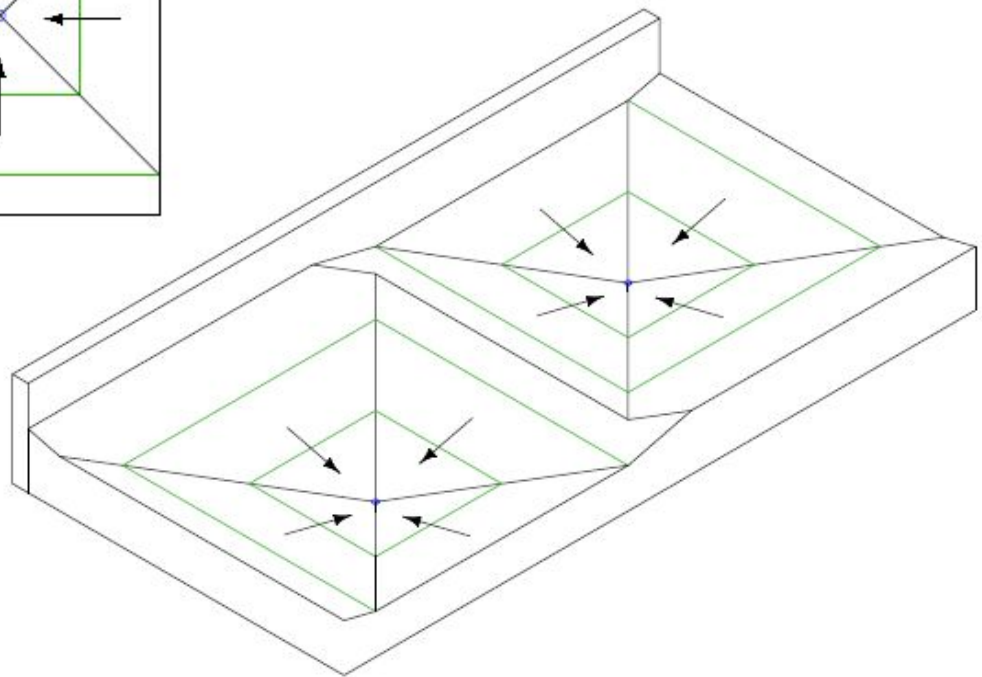
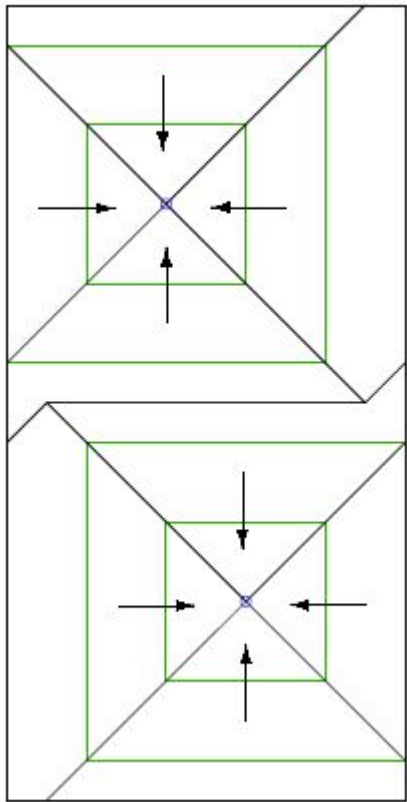
HALF SNUB-NOSED CRICKET

For more information, contact GAF Tapered Department Services at **1-866-207-7123** or **TDG@GAF.com**

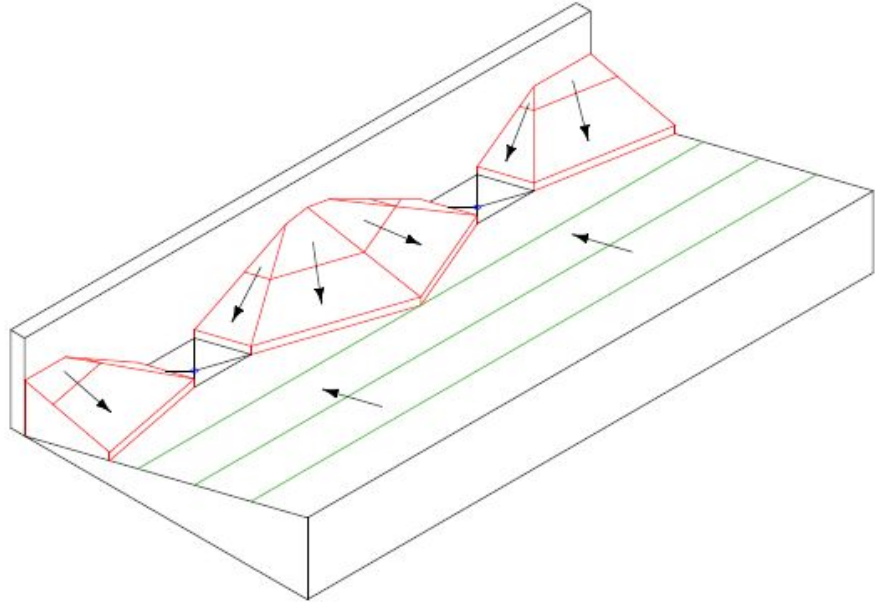
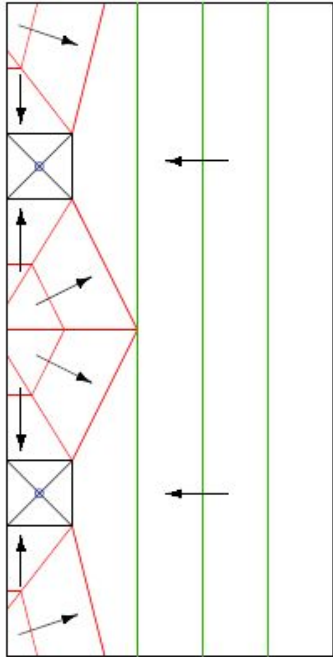
We protect what matters most™



4-Way Slope To Offset Drains



1-Way Slope With Snub Nosed Crickets And Sumps



2-Way Slope With Snub Nosed Crickets And Sumps

