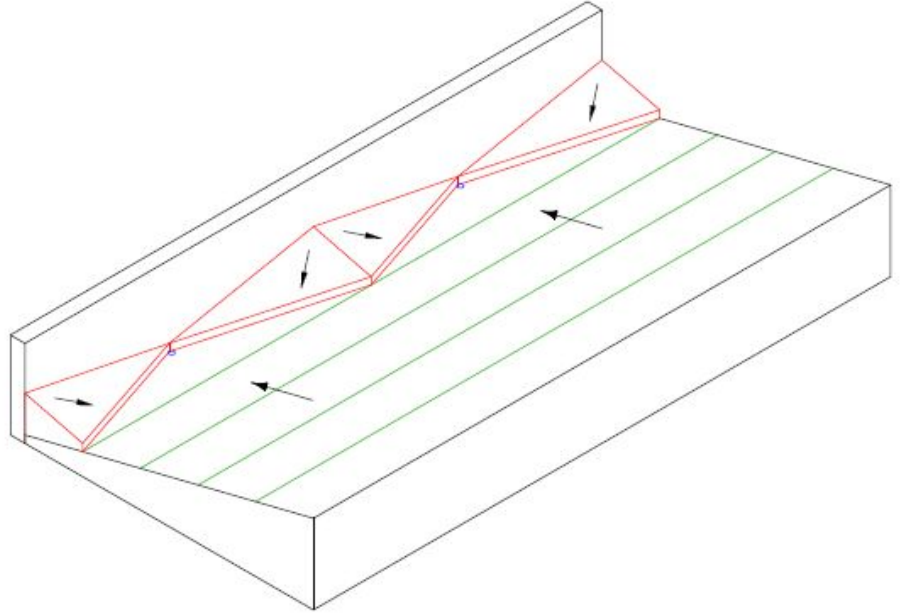
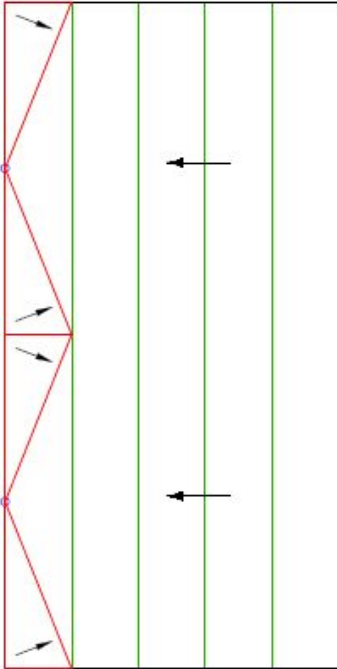


### 1-Way Slope with Crickets



### 2-Way Slope To Drains/Scuppers

